

CHECK VALVES AND FOOT VALVES

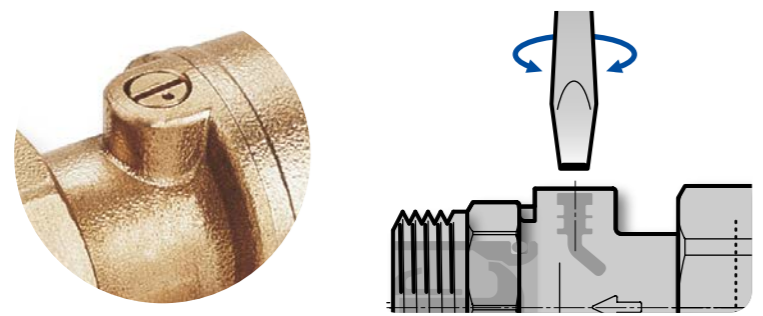
- universal check valves
- with drain and check
- with running nut
- swing
- foot valves

The check valves are mono-directional devices; they prevent the back-flow in a system under pressure. They are normally used in the heating installations, in the powerplants (wall-hung boilers, wood-boilers, heating pumps), in the thermal solar systems, in the domestic hot water and in the industrial and agricultural systems

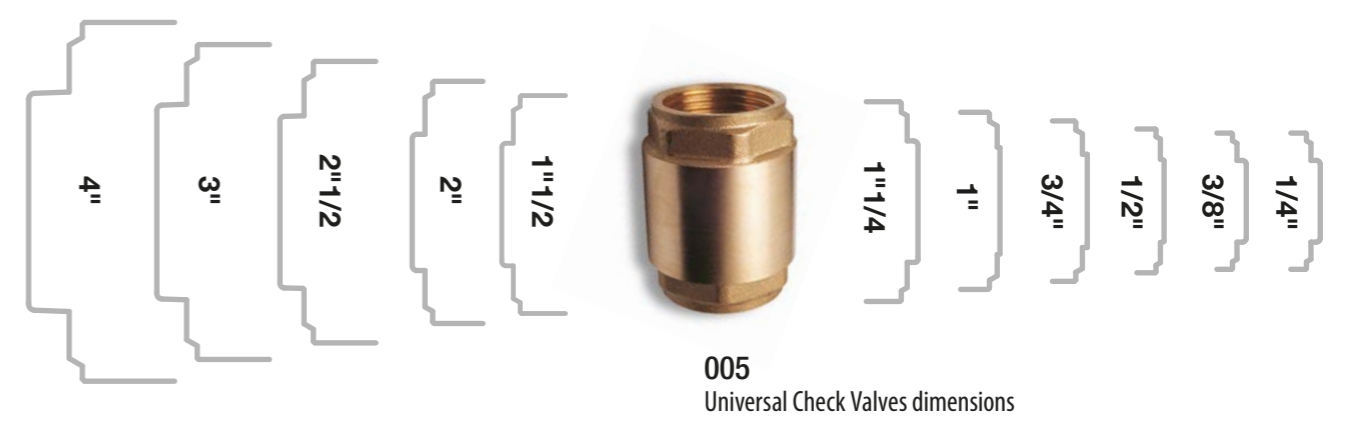


Drain device

Operating on the dedicated screw it is possible to disconnect the check insert, thus allowing the back flow to pass through



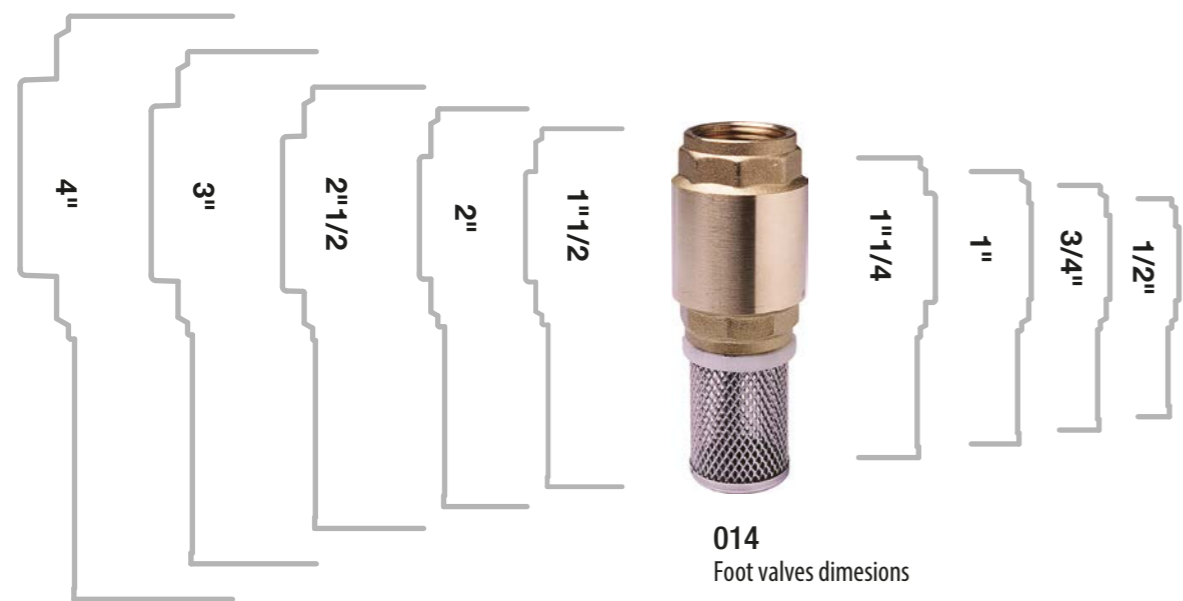
UNIVERSAL CHECK VALVES



check valves Barberi®	Size	Plastic obturator	Metal obturator	NBR washer	VITON washer	Stronger body
005	1/4" ÷ 4"	x		x		
020	3/8" ÷ 2"	x		x		x
006	3/8" ÷ 2"	x		x		
007	3/8" ÷ 2"	x		x		
008	3/8" ÷ 2"	x		x		
005K	1/4" ÷ 4"		x	x		
020K	3/8" ÷ 2"		x	x		x
005KV	1/4" ÷ 4"		x		x	
020KV	3/8" ÷ 2"		x		x	x
006KV	3/8" ÷ 2"		x		x	
007KV	3/8" ÷ 2"		x		x	
008KV	3/8" ÷ 2"		x		x	

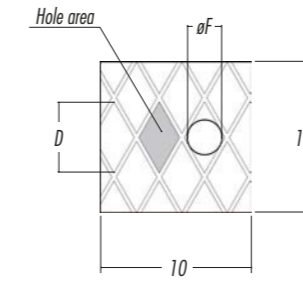
FOOT VALVES

The foot valves are mono-directional devices; they prevent the back-flow in a system under pressure. They allow to filter the fluid where they are plunged and thus they are normally used in hot and cold water suction installations from well and water systems.



Mesh type

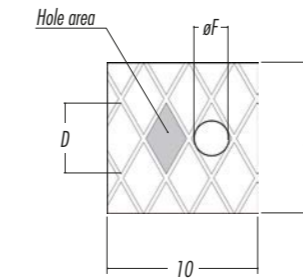
Type A



n° holes / c ^{m2}	30	16
Hole area	1,0 mm ²	1,7 mm ²
D	2,0 mm	2,6 mm
øF	1,0 mm (1000 µm)	1,25 (1250 µm)
Size	3/8" - 1 1/2"	2" - 4"

As regards the values of the Hole area, D and øF 's tolerance ± 15%

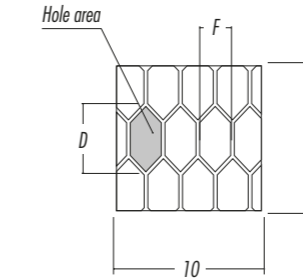
Type B



n° holes / c ^{m2}	16
Hole area	1,7 mm ²
D	2,6 mm
øF	1,25 (1250 µm)
Size	3/8" - 4"

As regards the values of the Hole area, D and øF 's tolerance ± 15%

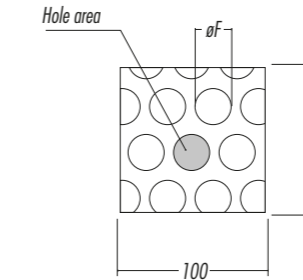
Type C



n° holes / c ^{m2}	20	11	12
Hole area	1,4 mm ²	2,65 mm ²	3,2 mm ²
D	2,2 mm	3,5 mm	2,9 mm ²
F	1,0 mm (1000 µm)	1,0 mm (1000 µm)	1,6 mm (1000 µm)
Size	3/8" - 2"	2 1/2" - 3"	4"

As regards the values of the Hole area, D and øF 's tolerance ± 15%

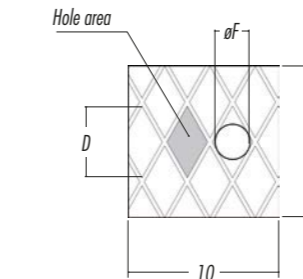
Type D



n° holes / c ^{m2}	145
Hole area	28,27 mm ²
øF	6,0 mm (6000 µm)
DN	50 - 65 - 80 - 100 - 125 - 150

As regards the values of the Hole area, D and øF 's tolerance ± 15%

Type E



n° holes / c ^{m2}	270
Hole area	0,025 mm ²
D	0,50 mm
øF	0,30 mm (300 µm)
Size	1/4"

As regards the values of the Hole area, D and øF 's tolerance ± 15%

Check valves and foot valves

005

Universal check valve - F.F. - acetal copolymer insert - NBR washer



Max working temperature	95 °C
on request	- ACS approval
-galvanic treatment	
in compliance with D.M. 174	

cod.	size	P [bar]	NPS	NPC	€
005 008 000	G1/4"	16	30	240	
005 010 000	G3/8"	16	30	240	
005 015 000	G1/2"	16	30	240	
005 020 000	G3/4"	16	18	144	
005 025 000	G1"	16	14	84	
005 032 000	G1"1/4	10	12	72	
005 040 000	G1"1/2	10	10	40	
005 050 000	G2"	10	6	36	
005 065 000	G2"1/2	8	-	15	
005 080 000	G3"	8	-	12	
005 100 000	G4"	8	-	5	

005K

Universal check valve - F.F. - brass insert - NBR washer



Max working temperature	95 °C
-------------------------	-------

cod.	size	P [bar]	NPS	NPC	€
005 008 000 K	G1/4"	35	30	240	
005 010 000 K	G3/8"	35	30	240	
005 015 000 K	G1/2"	35	30	240	
005 020 000 K	G3/4"	35	18	144	
005 025 000 K	G1"	35	14	84	
005 032 000 K	G1"1/4	25	12	72	
005 040 000 K	G1"1/2	25	10	40	
005 050 000 K	G2"	25	6	36	
005 065 000 K	G2"1/2	12	-	15	
005 080 000 K	G3"	12	-	12	
005 100 000 K	G4"	12	-	5	

005KV

Universal check valve - F.F. - brass insert - viton washer



Max working temperature	150 °C
-------------------------	--------

cod.	size	P [bar]	NPS	NPC	€
005 008 000 KV	G1/4"	35	30	240	
005 010 000 KV	G3/8"	35	30	240	
005 015 000 KV	G1/2"	35	30	240	
005 020 000 KV	G3/4"	35	18	144	
005 025 000 KV	G1"	35	14	84	
005 032 000 KV	G1"1/4	25	12	72	
005 040 000 KV	G1"1/2	25	10	40	
005 050 000 KV	G2"	25	6	36	
005 065 000 KV ●	G2"1/2	12	-	15	
005 080 000 KV ●	G3"	12	-	12	
005 100 000 KV ●	G4"	12	-	5	

Check valves and foot valves

006

Universal check valve - F.M. - acetal copolymer insert - NBR washer



Max working temperature	95 °C
on request	- ACS approval
-galvanic treatment	
in compliance with D.M. 174	

cod.	size	P [bar]	NPS	NPC	€
006 010 000	G3/8"	16	30	240	
006 015 000	G1/2"	16	25	200	
006 020 000	G3/4"	16	16	128	
006 025 000	G1"	16	10	80	
006 032 000	G1"1/4	10	6	48	
006 040 000 ●	G1"1/2	10	8	32	
006 050 000 ●	G2"	10	6	24	

020

Universal check valve - F.F. - acetal copolymer insert - NBR washer - suitable for high pressure application



Max working temperature	95 °C
on request	- ACS approval
-galvanic treatment	
in compliance with D.M. 174	

cod.	size	P [bar]	NPS	NPC	€
020 010 000	G3/8"	25	24	192	
020 015 000	G1/2"	25	20	160	
020 020 000	G3/4"	25	12	96	
020 025 000	G1"	25	8	64	
020 032 000	G1"1/4	18	8	48	
020 040 000	G1"1/2	18	6	36	
020 050 000	G2"	18	5	20	

020K

Universal check valve - F.F. - brass insert - NBR washer - suitable for high pressure application



Max working temperature	95 °C
-------------------------	-------

cod.	size	P [bar]	NPS	NPC	€
020 010 000 K	G3/8"	50	24	192	
020 015 000 K	G1/2"	50	20	160	
020 020 000 K	G3/4"	50	12	96	
020 025 000 K	G1"	50	8	64	
020 032 000 K	G1"1/4	35	8	48	
020 040 000 K	G1"1/2	35	6	36	
020 050 000 K	G2"	35	5	20	

020KV

Universal check valve - F.F. - brass insert - viton washer - suitable for high pressure application



Max working temperature	150 °C
-------------------------	--------

cod.	size	P [bar]	NPS	NPC	€
020 010 000 KV	G3/8"	50	24	192	
020 015 000 KV	G1/2"	50	20	160	
020 020 000 KV	G3/4"	50	12	96	
020 025 000 KV	G1"	50	8	64	
020 032 000 KV	G1"1/4	35	8	48	
020 040 000 KV	G1"1/2	35	6	36	
020 050 000 KV	G2"	35	5	20	

006KV

Universal check valve - F.M. - brass insert - viton washer



Max working temperature	150 °C
-------------------------	--------

cod.	size	P [bar]	NPS	NPC	€
006 010 000 KV	G3/8"	35	30	240	
006 015 000 KV	G1/2"	35	25	200	
006 020 000 KV	G3/4"	35	16	128	
006 025 000 KV	G1"	35	10	80	
006 032 000 KV	G1"1/4	25	6	48	
006 040 000 KV ●	G1"1/2	25	8	32	
006 050 000 KV ●	G2"	25	6	24	

P	Max working pressure
N°P/S	Pieces per box
N°P/C	Pieces per carton



●	Article on request
---	--------------------

P	Max working pressure
N°P/S	Pieces per box
N°P/C	Pieces per carton



●	Article on request
---	--------------------

007

Universal check valve - M.F. - acetal copolymer insert - NBR washer



Max working temperature	95 °C
on request	- ACS approval
-galvanic treatment	
in compliance with D.M. 174	

cod.	size	P [bar]	NPS	NPC	€
007 010 000	G3/8"	16	30	240	
007 015 000	G1/2"	16	20	160	
007 020 000	G3/4"	16	16	128	
007 025 000	G1"	16	10	80	
007 032 000	G1"1/4	10	6	48	
007 040 000 ●	G1"1/2	10	8	32	
007 050 000 ●	G2"	10	6	24	

008

Universal check valve - M.M. - acetal copolymer insert - NBR washer



Max working temperature	95 °C
on request	- ACS approval
-galvanic treatment	
in compliance with D.M. 174	

cod.	size	P [bar]	NPS	NPC	€
008 010 000	G3/8"	16	30	240	
008 015 000	G1/2"	16	20	160	
008 020 000	G3/4"	16	16	128	
008 025 000	G1"	16	10	80	
008 032 000	G1"1/4	10	6	48	
008 040 000 ●	G1"1/2	10	8	32	
008 050 000 ●	G2"	10	6	24	

007KV

Universal check valve - M.F. - brass insert - viton washer



Max working temperature	150 °C
-------------------------	--------

cod.	size	P [bar]	NPS	NPC	€
007 010 000 KV	G3/8"	35	30	240	
007 015 000 KV	G1/2"	35	20	160	
007 020 000 KV	G3/4"	35	16	128	
007 025 000 KV	G1"	35	10	80	
007 032 000 KV	G1"1/4	25	6	48	
007 040 000 KV ●	G1"1/2	25	8	32	
007 050 000 KV ●	G2"	25	6	24	

008KV

Universal check valve - M.M. - brass insert - viton washer



Max working temperature	150 °C
-------------------------	--------

cod.	size	P [bar]	NPS	NPC	€
008 010 000 KV	G3/8"	35	30	240	
008 015 000 KV	G1/2"	35	20	160	
008 020 000 KV	G3/4"	35	16	128	
008 025 000 KV	G1"	35	10	80	
008 032 000 KV	G1"1/4	25	6	48	
008 040 000 KV ●	G1"1/2	25	8	32	
008 050 000 KV ●	G2"	25	6	24	

135

Flanged check valve PN16



Max working temperature	95 °C
Material	Cast iron EN GJL 250

cod.	size	P [bar]	NPC	€
135 050 000	50	16	2	
135 065 000	65	16	2	
135 080 000	80	16	1	
135 100 000	100	16	1	
135 125 000	125	16	1	
135 150 000	150	16	1	

080

Swing check valve F.F. - metal tightness



Max working temperature	95 °C
Measure 5" and 6" in bronze	

cod.	size	P [bar]	NPS	NPC	€
080 010 000	G3/8"	16	15	120	
080 015 000	G1/2"	16	20	160	
080 020 000	G3/4"	16	10	120	
080 025 000	G1"	16	10	60	
080 032 000	G1"1/4	16	10	40	
080 040 000	G1"1/2	16	6	36	
080 050 000	G2"	16	4	24	
080 065 000	G2"1/2	16	-	12	
080 080 000	G3"	16	-	10	
080 100 000	G4"	10	-	4	
080 125 000	G5"	10	-	2	
080 150 000	G6"	10	-	1	

060

Swing check valve F.F. - rubber tightness



Max working temperature	95 °C
Measure 5" and 6" in bronze	

cod.	size	P [bar]	NPS	NPC	€
060 010 000	G3/8"	16	15	120	
060 015 000	G1/2"	16	20	160	
060 020 000	G3/4"	16	10	120	
060 025 000	G1"	16	10	60	
060 032 000	G1"1/4	16	10	40	
060 040 000	G1"1/2	16	6	36	
060 050 000	G2"	16	4	24	
060 065 000	G2"1/2	16	-	12	
060 080 000	G3"	16	-	10	
060 100 000	G4"	10	-	4	
060 125 000	G5"	10	-	2	
060 150 000	G6"	10	-	1	

125

Wafer or inter-flanged swing check valve PN16



Max working temperature	95 °C
Material	ASTM A351 gr. CF8M

cod.	size	P [bar]	NPS	NPC	€
125 050 000	50mm	16	-	1	
125 065 000	65mm	16	-	1	
125 080 000	80mm	16	-	1	
125 100 000	100mm	16	-	1	
125 125 000	125mm	16	-	1	
125 150 000	150mm	16	-	1	
125 200 000	200mm	16	-	1	
125 250 000	250mm	16	-	1	

P	Max working pressure
N°P/S	Pieces per box
N°P/C	Pieces per carton



●	Article on request
---	--------------------

P	Max working pressure
N°P/S	Pieces per box
N°P/C	Pieces per carton



●	Article on request
---	--------------------

130

Y check valve with metal insert - viton washer



Max working temperature 150 °C

cod.	size	P [bar]	NPS	NPC	€
130 010 000 ●	G3/8"	35	25	200	
130 015 000	G1/2"	35	20	160	
130 020 000	G3/4"	35	14	84	
130 025 000	G1"	35	10	60	
130 032 000	G1"1/4	25	5	30	
130 040 000 ●	G1"1/2	25	4	24	
130 050 000 ●	G2"	25	2	12	

Y77.N

Compact check valve with running nut - flat washer - nickel-plated



Max working temperature 110 °C

cod.	size	P [bar]	NPS	NPC	€
Y77 A20 N00	G3/4" - G3/4" M	16	20	80	
Y77 A25 N00	G1" - G1" M	16	20	80	

Y77

Compact check valve with running nut - flat washer



Max working temperature 110 °C

cod.	size	P [bar]	NPS	NPC	€
Y77 A20 000	G3/4" - G3/4" M	16	20	80	
Y77 A25 000	G1" - G1" M	16	20	80	

Y44

Compact check valve with running nut, compression end - filter - flat washer - nickel-plated



Max working temperature 95 °C

cod.	size	P [bar]	NPS	NPC	€
Y44 A15 N00 ●	15 mm - 3/4"	16	-	100	

P34

Compact check valve - M.F.



Max working temperature 95 °C

cod.	size	P [bar]	NPS	NPC	€
P34 015 000	G1/2"	16	50	400	
P34 020 000	G3/4"	16	40	160	
P34 025 000	G1"	16	15	120	

P33

Compact check valve - F.M.



Max working temperature 95 °C

cod.	size	P [bar]	NPS	NPC	€
P33 015 000	G1/2"	16	50	400	
P33 020 000	G3/4"	16	40	160	
P33 025 000	G1"	16	15	120	

179

Compact check valve - M.F. - with knurling - chrome plated



Max working temperature 95 °C

cod.	size	P [bar]	NPS	NPC	€
179 015 C00	G1/2"	16	-	300	

178

Compact check valve - F.M. - with knurling - chrome plated



Max working temperature 95 °C

cod.	size	P [bar]	NPS	NPC	€
178 015 C00	G1/2"	16	-	300	
178 020 C00	3/4"G	16	-	200	

P	Max working pressure
N°P/S	Pieces per box
N°P/C	Pieces per carton



●	Article on request
---	--------------------

P	Max working pressure
N°P/S	Pieces per box
N°P/C	Pieces per carton



●	Article on request
---	--------------------

036

Check valve with pump and side connection - nickel plated



Max working temperature 95 °C

cod.	size	P [bar]	NPS	NPC	€
036 025 N00	G 1" - G 1"1/4 - G 1/2"	16	-	60	
036 032 N00 W	R 1"1/4 - G 1"1/2 - G 1/2"	16	-	40	
036 040 N00 W	R 1"1/2 - G 2" - G 1/2"	16	-	30	

172

Double check valve with drain and two compression ends - CR (DZR) brass



Max working temperature 95 °C
WRAS approval

cod.	size	P [bar]	NPS	NPC	€
172 015 000	15mm	16	-	150	
172 022 000	22mm	16	-	100	

032 - 032.I

Check valve with drain and compression ends - English version, IRISH version(I)



Max working temperature 95 °C

cod.	size	P [bar]	NPS	NPC	€
032 015 000	15 - 15,2	16	-	100	
032 022 000	22 - 22,2	16	-	50	
032 028 000	28 - 28,3	16	-	40	
032 015 000 I ●	15 - 14,9	16	-	100	
032 022 000 I ●	22 - 21,2	16	-	50	
032 028 000 I ●	28 - 27,6	16	-	40	

173

Double check valve with drain and one compression end - CR (DZR) brass - nickel plated



Max working temperature 95 °C
WRAS approval

cod.	size	P [bar]	NPS	NPC	€
173 015 N00	15mm	16	25	200	

055

"PARIS" Check valve F.M. with double drain and running nut



Max working temperature 95 °C

cod.	size	P [bar]	NPS	NPC	€
055 015 000	G3/4" F - G3/4" M	16	-	100	

192

Check valve with pump connection and drain device



Max working temperature 95 °C

cod.	size	P [bar]	NPS	NPC	€
192 020 000	G 3/4" - G 1"1/2	16	-	80	
192 020 000 W	R 3/4" - G 1"1/2	16	-	80	
192 025 000	G 1" - G 1"1/2	16	-	80	
192 025 000 W	R 1" - G 1"1/2	16	-	80	

195

"STAR" Check valve F.F. with double drain



Max working temperature 95 °C

cod.	size	P [bar]	NPS	NPC	€
195 015 000 ●	G1/2"	16	-	150	
195 020 000	G3/4"	16	-	120	
195 025 000	G1"	16	-	70	

191

Check valve with running nut and drain device



Max working temperature 95 °C

cod.	size	P [bar]	NPS	NPC	€
191 020 000	G 3/4" - G 1"	16	10	40	
191 020 000 W ●	R 3/4" - G 1"	16	10	40	
191 025 000	G 1" - G 1"	16	10	40	
191 025 000 W ●	R 1" - G 1"	16	10	40	

P	Max working pressure
N°P/S	Pieces per box
N°P/C	Pieces per carton



●	Article on request
---	--------------------

P	Max working pressure
N°P/S	Pieces per box
N°P/C	Pieces per carton



●	Article on request
---	--------------------

191.2

Check valve with running nut and drain - check valve insert



Max working temperature 95 °C

cod.	size	P [bar]	NPS	NPC	€
191 025 000 2	G 1" - G 1"	16	10	40	
191 025 000 W2	R 1" - G 1"	16	10	40	

035

Square check valve



Max working temperature 60 °C

cod.	size	P [bar]	NPS	NPC	€
035 025 000	G1"	16	10	40	
035 032 000	G1"1/4	16	5	20	
035 040 000	G1"1/2	16	2	24	
035 050 000	G2"	16	2	12	

015

Foot valve with interchangeable stainless steel filter - brass filter connection (cod.005 + cod. 030)



Max working temperature 95 °C
(see mesh type at the chapter start)

cod.	size	type	P [bar]	NPS	NPC	€
015 010 000	G3/8"	mesh type A	16	25	200	
015 015 000	G1/2"	mesh type A	16	20	160	
015 020 000	G3/4"	mesh type A	16	15	135	
015 025 000	G1"	mesh type A	16	14	84	
015 032 000	G1"1/4	mesh type A	10	6	36	
015 040 000	G1"1/2	mesh type A	10	5	30	
015 050 000	G2"	mesh type A	10	3	18	
015 065 000	G2"1/2	mesh type A	8	-	9	
015 080 000	G3"	mesh type A	8	-	6	
015 100 000	G4"	mesh type A	8	-	4	

025

Foot valve for high pressure with interchangeable stainless steel filter - brass filter connection (cod.020 + cod. 030)



Max working temperature 95 °C
(see mesh type at the chapter start)

cod.	size	type	P [bar]	NPS	NPC	€
025 010 000	G3/8"	mesh type A	25	24	192	
025 015 000	G1/2"	mesh type A	25	12	144	
025 020 000	G3/4"	mesh type A	25	14	84	
025 025 000	G1"	mesh type A	25	8	48	
025 032 000	G1"1/4	mesh type A	18	5	30	
025 040 000	G1"1/2	mesh type A	18	4	24	
025 050 000	G2"	mesh type A	18	3	12	

191KV

Check valve with running nut and drain - metal obturator - viton tightness



Max working temperature 95 °C

cod.	size	P [bar]	NPS	NPC	€
191 020 000 KV	G 3/4" - G 1"	16	10	40	
191 025 000 KV	G 1" - G 1"	16	10	40	

014

Foot valve with interchangeable stainless steel filter - nylon filter connection (cod.005 + cod. 029)



Max working temperature 95 °C
(see mesh type at the chapter start)

cod.	type	P [bar]	NPS	NPC	€
014 010 000	mesh type B	16	25	300	
014 015 000	mesh type B	16	20	240	
014 020 000	mesh type B	16	15	135	
014 025 000	mesh type B	16	14	84	
014 032 000	mesh type B	10	7	42	
014 040 000	mesh type B	10	5	30	
014 050 000	mesh type B	10	3	18	
014 065 000	mesh type B	8	-	9	
014 080 000	mesh type B	8	-	6	
014 100 000	mesh type B	8	-	4	

024

Foot valve for high pressure with interchangeable stainless steel filter - nylon filter connection (cod.020 + cod. 029)



Max working temperature 95 °C
(see mesh type at the chapter start)

cod.	size	type	P [bar]	NPS	NPC	€
024 010 000	G3/8"	mesh type B	25	15	120	
024 015 000	G1/2"	mesh type B	25	15	120	
024 020 000	G3/4"	mesh type B	25	14	84	
024 025 000	G1"	mesh type B	25	6	54	
024 032 000	G1"1/4	mesh type B	18	5	30	
024 040 000	G1"1/2	mesh type B	18	4	24	
024 050 000	G2"	mesh type B	18	3	18	

V39 new

Foot valve for high pressure with brass obturator, interchangeable stainless steel filter - nylon filter connection (cod.020K + cod. 030)



Max working temperature 95 °C
(see mesh type at the chapter start)

cod.	size	type	P [bar]	NPS	NPC	€
V39 010 000	G3/8"	mesh type B	50	24	192	
V39 015 000	G1/2"	mesh type B	50	12	144	
V39 020 000	G3/4"	mesh type B	50	14	84	
V39 025 000	G1"	mesh type B	50	8	48	
V39 032 000	G1"1/4	mesh type B	35	5	30	
V39 040 000	G1"1/2	mesh type B	35	4	24	
V39 050 000	G2"	mesh type B	35	3	12	

P	Max working pressure
N°P/S	Pieces per box
N°P/C	Pieces per carton



●	Article on request
---	--------------------

P	Max working pressure
N°P/S	Pieces per box
N°P/C	Pieces per carton



●	Article on request
---	--------------------

010

Foot valve with integrated stainless steel filter



Max working temperature	95 °C
<i>(see mesh type at the chapter start)</i>	

cod.	size	type	P [bar]	NPS	NPC	€
010 015 000	G1/2"	mesh type A	16	15	180	
010 020 000	G3/4"	mesh type A	16	28	168	
010 025 000	G1"	mesh type A	16	16	96	
010 032 000	G1"1/4	mesh type A	10	7	42	
010 040 000	G1"1/2	mesh type A	10	6	36	
010 050 000	G2"	mesh type A	10	3	18	
010 065 000	G2"1/2	mesh type A	8	-	10	
010 080 000	G3"	mesh type A	8	-	6	
010 100 000	G4"	mesh type A	8	-	4	

045

Tubular foot valve



Max working temperature	90 °C
-------------------------	-------

cod.	size	P [bar]	NPS	NPC	€
045 020 000	G3/4"	10	12	96	
045 025 000	G1"	10	12	72	
045 032 000	G1"1/4	8	6	36	
045 040 000	G1"1/2	8	5	30	
045 050 000	G2"	8	4	24	
045 065 000	G2"1/2	8	-	12	
045 080 000	G3"	6	-	5	
045 100 000	G4"	6	-	3	

030

Stainless steel filter with brass connection



Max working temperature	140 °C
<i>(see mesh type at the chapter start)</i>	

cod.	size	type	NPS	NPC	€
030 010 000	G3/8"	mesh type A	50	400	
030 015 000	G1/2"	mesh type A	35	280	
030 020 000	G3/4"	mesh type A	20	160	
030 025 000	G1"	mesh type A	25	100	
030 032 000	G1"1/4	mesh type A	20	80	
030 040 000	G1"1/2	mesh type A	10	40	
030 050 000	G2"	mesh type A	6	24	
030 065 000	G2"1/2	mesh type A	-	20	
030 080 000	G3"	mesh type A	-	10	
030 100 000	G4"	mesh type A	-	6	

040

Foot valve with brass filter with horizontal edges (6" with vertical edges)



Max working temperature	95 °C
<i>Art. 042150000 vertical edges</i>	

cod.	size	P [bar]	NPS	NPC	€
040 020 000	G3/4"	10	12	96	
040 025 000	G1"	10	12	72	
040 032 000	G1"1/4	8	5	45	
040 040 000	G1"1/2	8	6	36	
040 050 000	G2"	8	4	24	
040 065 000	G2"1/2	6	-	12	
040 080 000	G3"	6	-	10	
040 100 000	G4"	6	-	5	
040 125 000	G5"	6	-	2	
042 150 000	G6"	6	-	1	

029

Stainless steel filter with nylon connection



Max working temperature	95 °C
<i>(see mesh type at the chapter start)</i>	

cod.	size	type	NPS	NPC	€
029 010 000	G3/8"	mesh type B	50	400	
029 015 000	G1/2"	mesh type B	35	280	
029 020 000	G3/4"	mesh type B	20	160	
029 025 000	G1"	mesh type B	25	100	
029 032 000	G1"1/4	mesh type B	20	80	
029 040 000	G1"1/2	mesh type B	10	40	
029 050 000	G2"	mesh type B	6	24	
029 065 000	G2"1/2	mesh type B	-	20	
029 080 000	G3"	mesh type B	-	10	
029 100 000	G4"	mesh type B	-	6	

028

Stainless steel filter with stainless steel connection



Max working temperature	140 °C
<i>(see mesh type at the chapter start)</i>	

cod.	size	type	NPS	NPC	€
028 010 000	G3/8"	mesh type C	50	400	
028 015 000	G1/2"	mesh type C	35	280	
028 020 000	G3/4"	mesh type C	20	160	
028 025 000	G1"	mesh type C	12	96	
028 032 000	G1"1/4	mesh type C	9	72	
028 040 000	G1"1/2	mesh type C	10	40	
028 050 000	G2"	mesh type C	6	24	
028 065 000	G2"1/2	mesh type C	4	16	
028 080 000	G3"	mesh type C	-	11	
028 100 000	G4"	mesh type C	-	6	

P	Max working pressure
N°P/S	Pieces per box
N°P/C	Pieces per carton



●	Article on request
---	--------------------

P	Max working pressure
N°P/S	Pieces per box
N°P/C	Pieces per carton



●	Article on request
---	--------------------