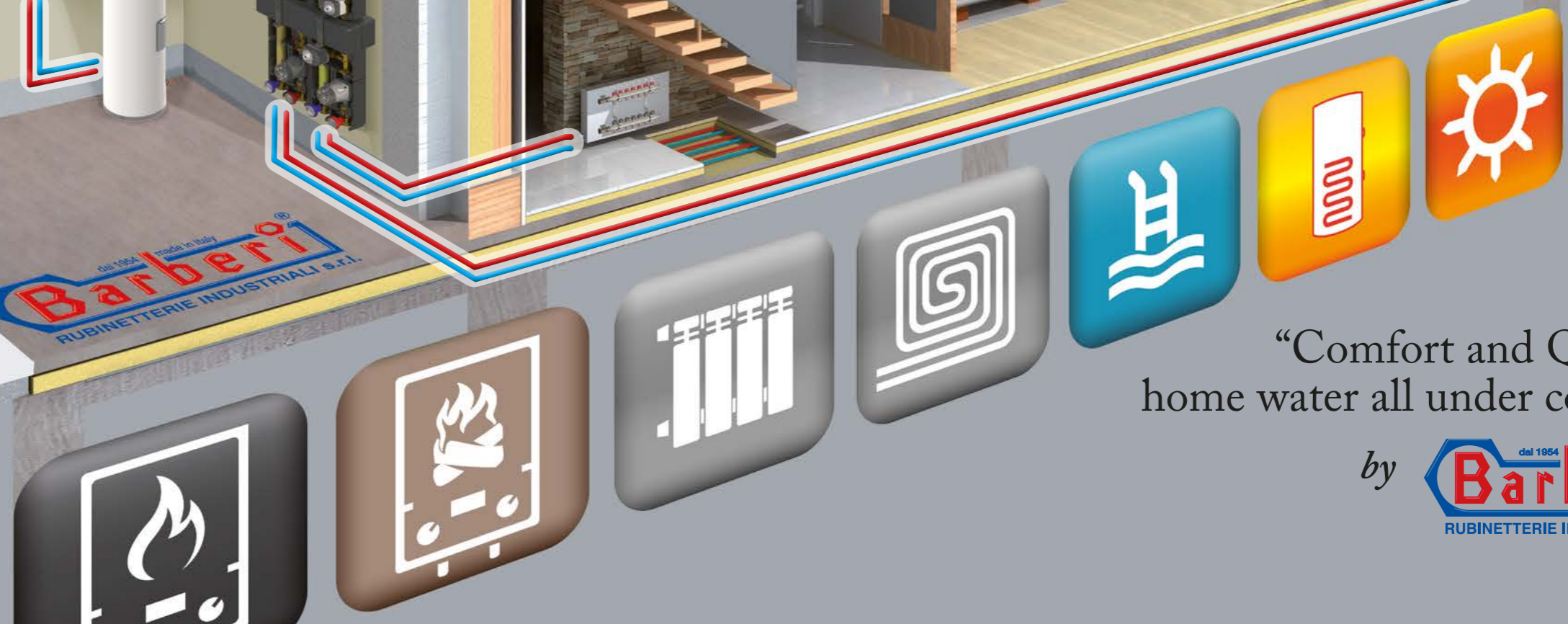


DISTRIBUTION GROUPS AND HEATING COMPONENTS

- built-in and technical room distribution groups
- distribution manifold
- differential valves



dal 1954 made in Italy
Barberi
 RUBINETTERIE INDUSTRIALI S.R.L.



“Comfort and Quality,
 home water all under control”

by **Barberi**
 RUBINETTERIE INDUSTRIALI S.R.L.

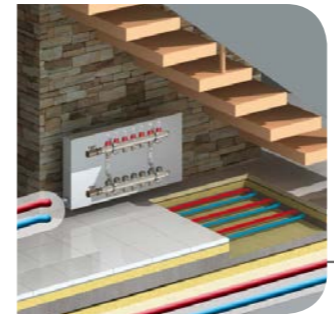
DISTRIBUTION GROUPS AND HEATING COMPONENTS



5 complete range of articles dedicated to distribution and regulation of the heating fluid in the heating installations.



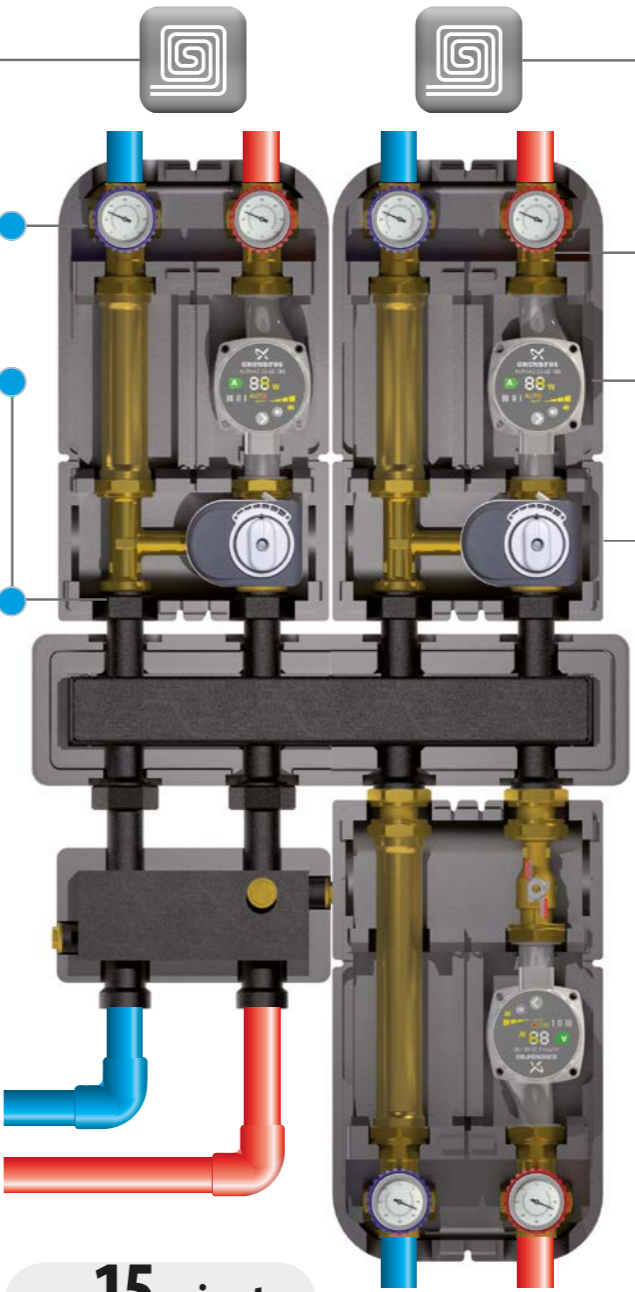
Cover design



Reversible positions no pipes intersection

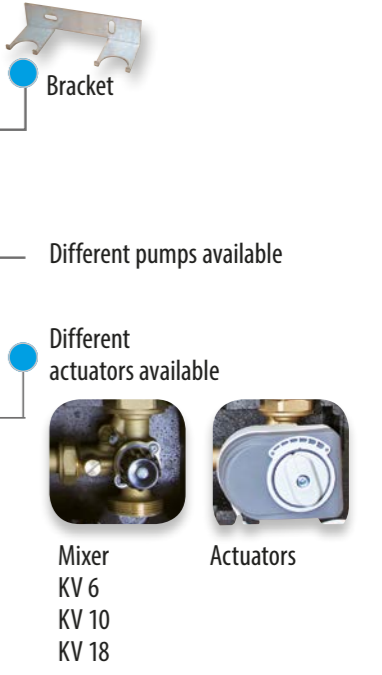


V34.DN25 "Up/Down" distribution manifold



21M.01 Hydraulic separator with thermal insulation, horizontal / vertical use very compact 250x200 mm

15 minutes installation time



Different pumps available

Different actuators available

Mixer KV 6 KV 10 KV 18

Actuators



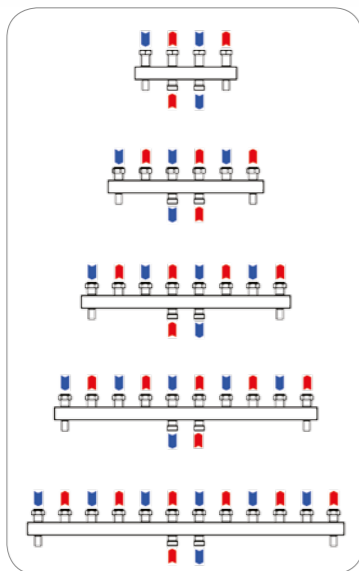
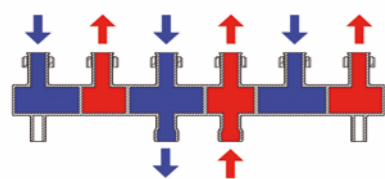
Counter Display

Options on request when ordering

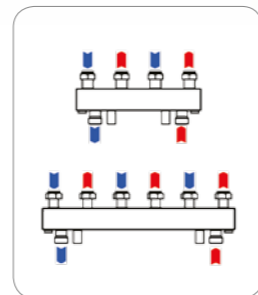
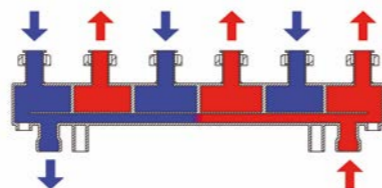
DISTRIBUTION MANIFOLDS



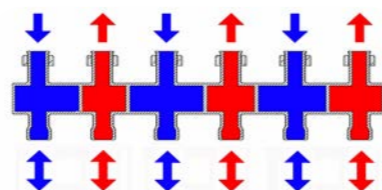
P72.DN25/DN32
Distribution manifold with thermal insulation



P74
Distribution manifold with integrated **hydraulic separator**, thermal insulation



V34.DN25
"UP/Down" Distribution manifold with thermal insulation - wall brackets - fittings to assemble the group on the bottom side



possibility to assemble the groups on the upper or on the lower side manifold

HYDRAULIC SEPARATORS



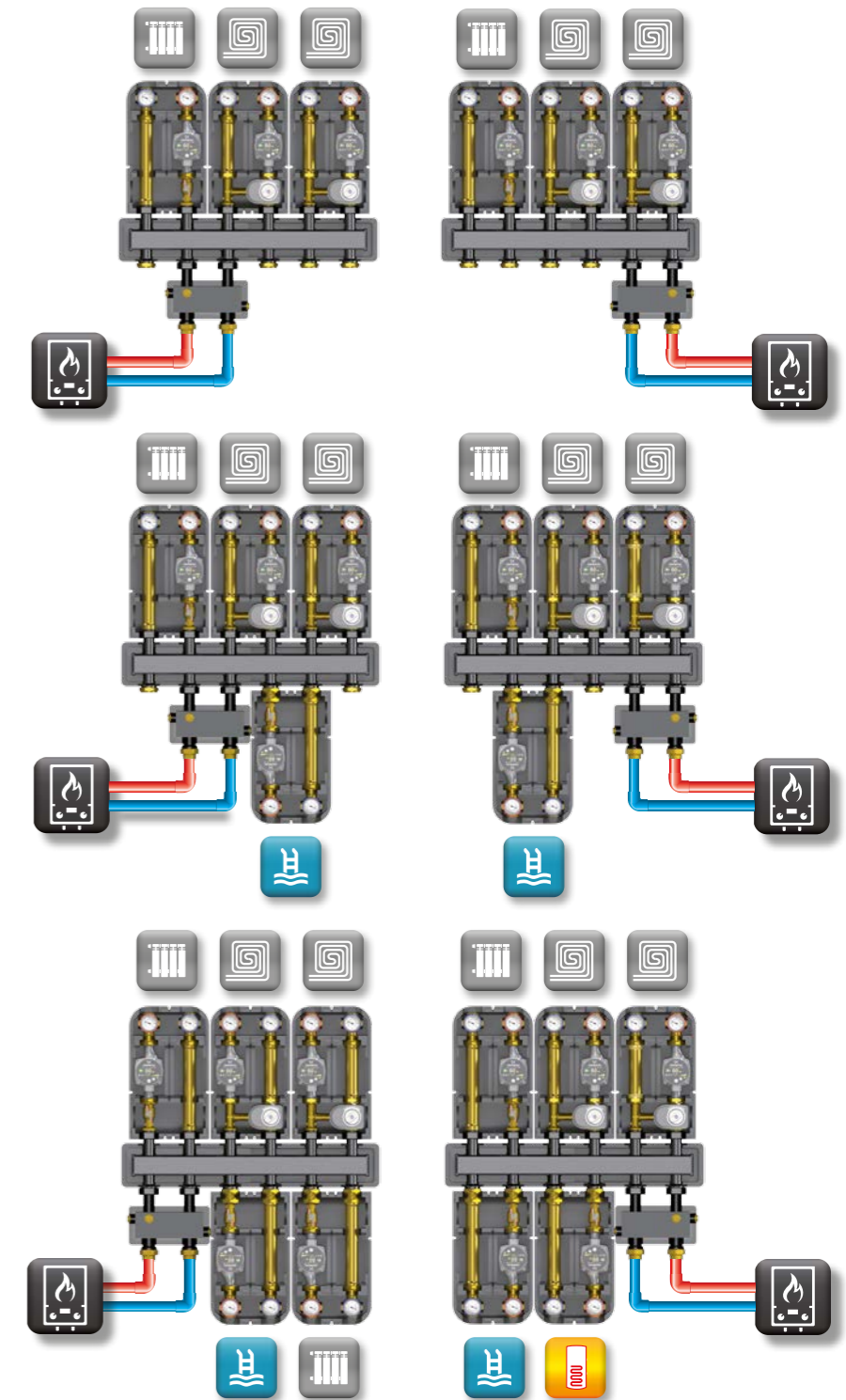
new

22M.01
Hydraulic separator with thermal insulation, with inner strainer to help de-aeration and muck delation



new new

21M.01
Hydraulic separator with thermal insulation, horizontal / vertical use



very compact 250x200 mm

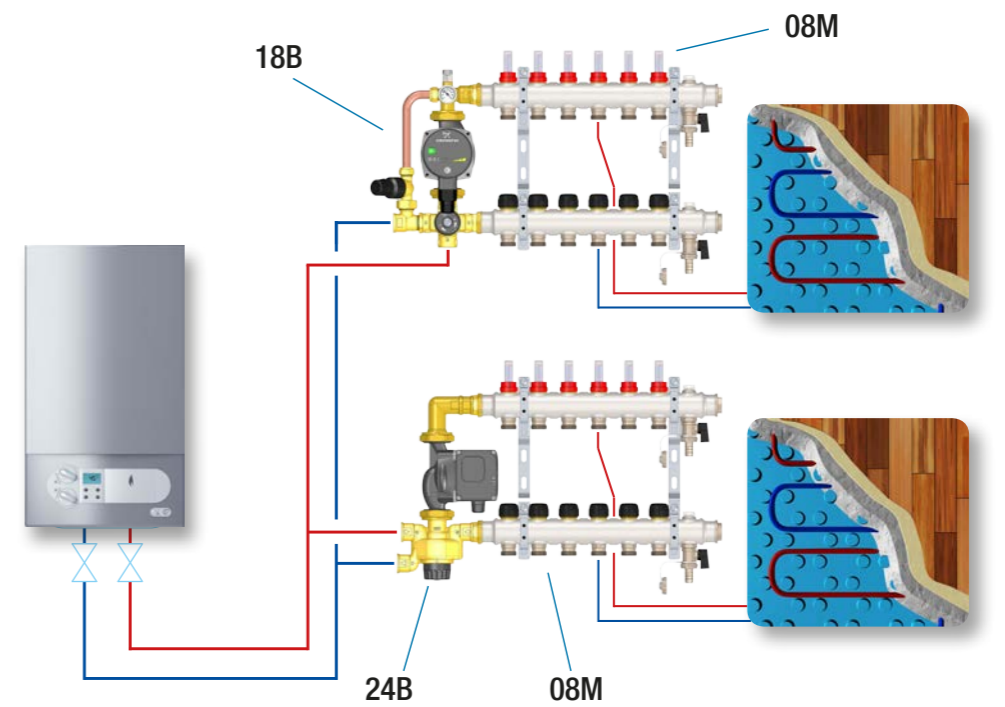
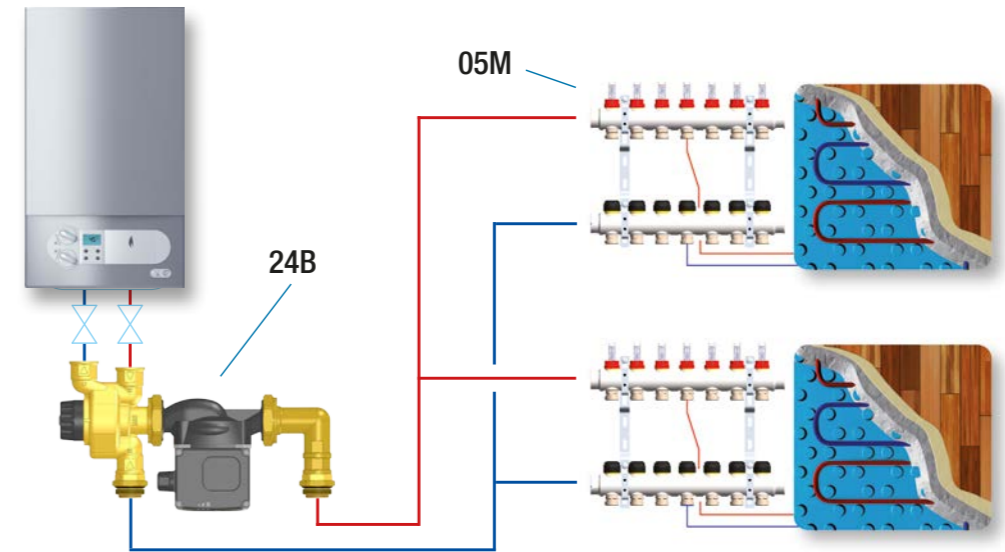
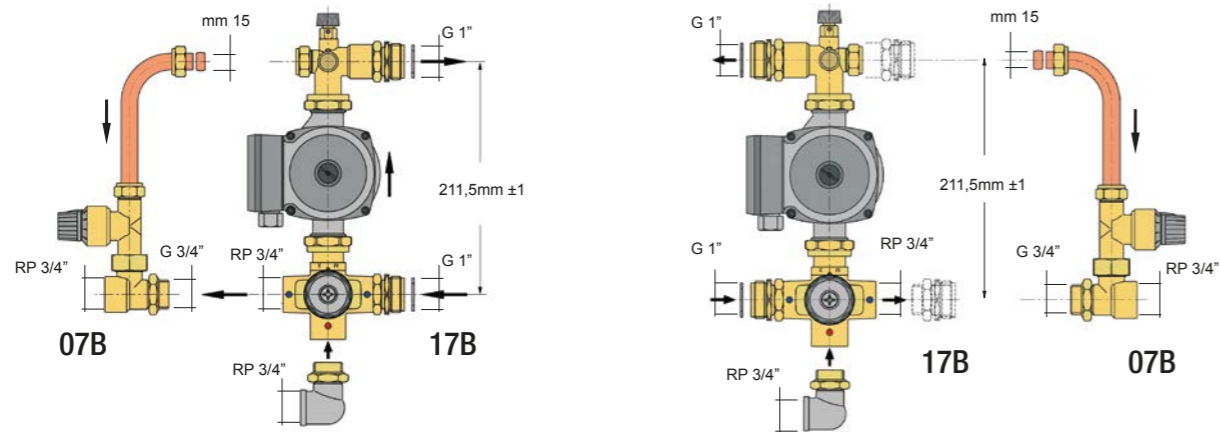
BUILT-IN DISTRIBUTION GROUPS

Recessed heating groups and manifolds for heating installation



18B.1
Built-in distribution group with thermostatic mixing valve 25-50°C and differential by-pass (setting 2 - 6.5 m). The group is supplied with temperature gauge in a single bag and an integrated air vent. Fitting for manifold connection included and elbow for the primary circuit connection.
(on request surface treatment)

new



DISTRIBUTION GROUPS

	Direct supply	With fixed temperature thermostatic valve	With rotary mixing valve	For solid fuel	Suitable for heat-meter	DN	Reversible	Suitable for by-pass installation
01G.DN25	x					25	x	x
31G.DN25	x					25	x	
23G.DN25	x				x	25	x	
01G.DN32	x					32	x	
02G.DN25		x				25	x	x
32G.DN25		x				25	x	
24G.DN25		x			x	25	x	
14G.DN25		x		x		25	x	
03G.DN25 05G.DN25			x			25		x
07G.DN25 09G.DN25			x			25	x	x
33G.DN25 35G.DN25			x			25		
37G.DN25 39G.DN25			x			25	x	
25G.DN25			x		x	25	x	
07G.06.DN32			x			32	x	
07G.DN32			x			32	x	
19G.DN25			x	x		25	x	
19G.DN32			x	x		32	x	

01G.DN25

Direct distribution group - reversible - DN25 - with connection for by-pass (616)

Max working temperature	90 °C
-------------------------	-------

cod.	size	pump	P [bar]	NPC	€
01G 025 00X	G1"F - G1"1/2M	WITHOUT PUMP	10	1	
01G 025 00V	G1"F - G1"1/2M	Grundfos UPM3 AUTO L 25-70	10	1	
01G 025 00U ●	G1"F - G1"1/2M	Grundfos UPM3 AUTO 25-70	10	1	
01G 025 00L	G1"F - G1"1/2M	Wilo Yonos Para 25-6	10	1	
01G 025 00C	G1"F - G1"1/2M	(Extra UE) Grundfos UPSO 25-65	10	1	



02G.DN25

Distribution group with thermostatic mixing valve - reversible - DN25 - with connection for by-pass (616)

Max inlet temperature	90 °C
Temperature regulation range	30/60 °C

cod.	size	KV	pump	P [bar]	NPC	€
02G 025 00X	G1"F - G1"1/2M	3,5	WITHOUT PUMP	10	1	
02G 025 00V	G1"F - G1"1/2M	3,5	Grundfos UPM3 AUTO L 25-70	10	1	
02G 025 00U ●	G1"F - G1"1/2M	3,5	Grundfos UPM3 AUTO 25-70	10	1	
02G 025 00L	G1"F - G1"1/2M	3,5	Wilo Yonos Para 25-6	10	1	
02G 025 00C	G1"F - G1"1/2M	3,5	(Extra UE) Grundfos UPSO 25-65	10	1	



03G.DN25 - 05G.DN25

Distribution group with mixing valve suitable to be actuated - DN25 - with connection for by-pass (616)

Max working temperature	90 °C
-------------------------	-------

cod.	size	KV	pump	P [bar]	NPC	€
03G 025 00X	G1"F - G1"1/2M	6	WITHOUT PUMP	10	1	
03G 025 00V	G1"F - G1"1/2M	6	Grundfos UPM3 AUTO L 25-70	10	1	
03G 025 00U ●	G1"F - G1"1/2M	6	Grundfos UPM3 AUTO 25-70	10	1	
03G 025 00L	G1"F - G1"1/2M	6	Wilo Yonos Para 25-6	10	1	
03G 025 00C	G1"F - G1"1/2M	6	(Extra UE) Grundfos UPSO 25-65	10	1	
05G 025 00X	G1"F - G1"1/2M	10	WITHOUT PUMP	10	1	
05G 025 00V	G1"F - G1"1/2M	10	Grundfos UPM3 AUTO L 25-70	10	1	
05G 025 00U ●	G1"F - G1"1/2M	10	Grundfos UPM3 AUTO 25-70	10	1	
05G 025 00L	G1"F - G1"1/2M	10	Wilo Yonos Para 25-6	10	1	
05G 025 00C	G1"F - G1"1/2M	10	(Extra UE) Grundfos UPSO 25-65	10	1	



P	Max working pressure
N°P/S	Pieces per box
N°P/C	Pieces per carton



●	Article on request
---	--------------------



07G.DN25 - 09G.DN25

Distribution group with mixing valve suitable to be actuated - reversible - DN25 - with connection for by-pass (616)

Max working temperature	90 °C
-------------------------	-------

cod.	size	KV	pump	P [bar]	NPC	€
07G 025 00X	G1" F - G1" 1/2 M	6	WITHOUT PUMP	10	1	
07G 025 00V	G1" F - G1" 1/2 M	6	Grundfos UPM3 AUTO L 25-70	10	1	
07G 025 00U ●	G1" F - G1" 1/2 M	6	Grundfos UPM3 AUTO 25-70	10	1	
07G 025 00L	G1" F - G1" 1/2 M	6	Wilo Yonos Para 25-6	10	1	
07G 025 00C	G1" F - G1" 1/2 M	6	(Extra UE) Grundfos UPSO 25-65	10	1	
09G 025 00X	G1" F - G1" 1/2 M	10	WITHOUT PUMP	10	1	
09G 025 00V	G1" F - G1" 1/2 M	10	Grundfos UPM3 AUTO L 25-70	10	1	
09G 025 00U ●	G1" F - G1" 1/2 M	10	Grundfos UPM3 AUTO 25-70	10	1	
09G 025 00L	G1" F - G1" 1/2 M	10	Wilo Yonos Para 25-6	10	1	
09G 025 00C	G1" F - G1" 1/2 M	10	(Extra UE) Grundfos UPSO 25-65	10	1	



33G.DN25-35G.DN25 *new*

Distribution group with mixing valve suitable to be actuated - DN25 - without connection for by-pass

Max working temperature	90 °C
-------------------------	-------

cod.	size	KV	pump	P [bar]	NPC	€
33G 025 00X	G1" F - G1" 1/2 M	6	WITHOUT PUMP	10	1	
33G 025 00V	G1" F - G1" 1/2 M	6	Grundfos UPM3 AUTO L 25-70	10	1	
33G 025 00U ●	G1" F - G1" 1/2 M	6	Grundfos UPM3 AUTO 25-70	10	1	
33G 025 00L	G1" F - G1" 1/2 M	6	Wilo Yonos Para 25-6	10	1	
33G 025 00C	G1" F - G1" 1/2 M	6	(Extra UE) Grundfos UPSO 25-65	10	1	
35G 025 00X	G1" F - G1" 1/2 M	10	WITHOUT PUMP	10	1	
35G 025 00V	G1" F - G1" 1/2 M	10	Grundfos UPM3 AUTO L 25-70	10	1	
35G 025 00U ●	G1" F - G1" 1/2 M	10	Grundfos UPM3 AUTO 25-70	10	1	
35G 025 00L	G1" F - G1" 1/2 M	10	Wilo Yonos Para 25-6	10	1	
35G 025 00C	G1" F - G1" 1/2 M	10	(Extra UE) Grundfos UPSO 25-65	10	1	



31G.DN25 *new*

Direct distribution group - reversible - DN25 - without connection for by-pass

Max working temperature	90 °C
-------------------------	-------

cod.	size	pump	P [bar]	NPC	€
31G 025 00X	G1" F - G1" 1/2 M	WITHOUT PUMP	10	1	
31G 025 00V	G1" F - G1" 1/2 M	Grundfos UPM3 AUTO L 25-70	10	1	
31G 025 00U ●	G1" F - G1" 1/2 M	Grundfos UPM3 AUTO 25-70	10	1	
31G 025 00L	G1" F - G1" 1/2 M	Wilo Yonos Para 25-6	10	1	
31G 025 00C	G1" F - G1" 1/2 M	(Extra UE) Grundfos UPSO 25-65	10	1	



37G.DN25-39G.DN25 *new*

Distribution group with mixing valve suitable to be actuated - reversible - DN25 - without connection for by-pass

Max working temperature	90 °C
-------------------------	-------

cod.	size	KV	pump	P [bar]	NPC	€
37G 025 00X	G1" F - G1" 1/2 M	6	WITHOUT PUMP	10	1	
37G 025 00V	G1" F - G1" 1/2 M	6	Grundfos UPM3 AUTO L 25-70	10	1	
37G 025 00U ●	G1" F - G1" 1/2 M	6	Grundfos UPM3 AUTO 25-70	10	1	
37G 025 00L	G1" F - G1" 1/2 M	6	Wilo Yonos Para 25-6	10	1	
37G 025 00C	G1" F - G1" 1/2 M	6	(Extra UE) Grundfos UPSO 25-65	10	1	
39G 025 00X	G1" F - G1" 1/2 M	10	WITHOUT PUMP	10	1	
39G 025 00V	G1" F - G1" 1/2 M	10	Grundfos UPM3 AUTO L 25-70	10	1	
39G 025 00U ●	G1" F - G1" 1/2 M	10	Grundfos UPM3 AUTO 25-70	10	1	
39G 025 00L	G1" F - G1" 1/2 M	10	Wilo Yonos Para 25-6	10	1	
39G 025 00C	G1" F - G1" 1/2 M	10	(Extra UE) Grundfos UPSO 25-65	10	1	



32G.DN25 *new*

Distribution group with thermostatic mixing valve - reversible - DN25 - without connection for by-pass

Max inlet temperature	90 °C
Temperature regulation range	30/60 °C

cod.	size	KV	pump	P [bar]	NPC	€
32G 025 00X	G1" F - G1" 1/2 M	3,5	WITHOUT PUMP	10	1	
32G 025 00V	G1" F - G1" 1/2 M	3,5	Grundfos UPM3 AUTO L 25-70	10	1	
32G 025 00U ●	G1" F - G1" 1/2 M	3,5	Grundfos UPM3 AUTO 25-70	10	1	
32G 025 00L	G1" F - G1" 1/2 M	3,5	Wilo Yonos Para 25-6	10	1	
32G 025 00C	G1" F - G1" 1/2 M	3,5	(Extra UE) Grundfos UPSO 25-65	10	1	



23G.DN25 *new*

Direct distribution group - reversible - DN25 - suitable for heatcounter (3/4" 110mm, 1" 130mm) - without connection for by-pass

Max working temperature	90 °C
-------------------------	-------

cod.	size	pump	P [bar]	NPC	€
23G 025 00X	G1" F - G1" 1/2 M	WITHOUT PUMP	10	1	
23G 025 00V	G1" F - G1" 1/2 M	Grundfos UPM3 AUTO L 25-70	10	1	
23G 025 00C	G1" F - G1" 1/2 M	(Extra UE) Grundfos UPSO 25-65	10	1	



P	Max working pressure
N°P/S	Pieces per box
N°P/C	Pieces per carton



●	Article on request
---	--------------------

P	Max working pressure
N°P/S	Pieces per box
N°P/C	Pieces per carton



●	Article on request
---	--------------------

24G.DN25 **new**

Distribution group with thermostatic mixing valve - reversible - DN25 - suitable for heatcounter (3/4" 110mm, 1" 130mm) - without connection for by-pass

Max inlet temperature	90 °C
Temperature regulation range	30/60 °C



cod.	size	KV	pump	P [bar]	NPC	€
24G 025 00X	G1"F - G1"1/2M	3,5	WITHOUT PUMP	10	1	
24G 025 00V	G1"F - G1"1/2M	3,5	Grundfos UPM3 AUTO L 25-70	10	1	
24G 025 00C	G1"F - G1"1/2M	3,5	(Extra UE) Grundfos UPSO 25-65	10	1	

25G.DN25 **new**

Distribution group with mixing valve suitable to be actuated - reversible - DN25 - suitable for heatcounter (3/4" 110mm, 1" 130mm) - without connection for by-pass

Max working temperature	90 °C
-------------------------	-------



cod.	size	KV	pump	P [bar]	NPC	€
25G 025 00X	G1"F - G1"1/2M	6	WITHOUT PUMP	10	1	
25G 025 00V	G1"F - G1"1/2M	6	Grundfos UPM3 AUTO L 25-70	10	1	
25G 025 00C	G1"F - G1"1/2M	6	(Extra UE) Grundfos UPSO 25-65	10	1	

14G.DN25

Distribution group for solid fuel boiler - reversible - DN25 - with nut and fittings - without connection for by-pass. To be used as anti-condensation

Max working temperature	90 °C
Setting as anti-condensation	45 - 55 - 60 - 70 °C



cod.	size	KV	pump	P [bar]	°C	NPC	€
14G 025 01X A ●	G1"F - G1"F	3,2	WITHOUT PUMP	10	45	1	
14G 025 01V A ●	G1"F - G1"F	3,2	Grundfos UPM3 AUTO L 25-70	10	45	1	
14G 025 01C A ●	G1"F - G1"F	3,2	(Extra UE) Grundfos UPSO 25-65	10	45	1	
14G 025 01X B	G1"F - G1"F	3,2	WITHOUT PUMP	10	55	1	
14G 025 01V B	G1"F - G1"F	3,2	Grundfos UPM3 AUTO L 25-70	10	55	1	
14G 025 01C B	G1"F - G1"F	3,2	(Extra UE) Grundfos UPSO 25-65	10	55	1	
14G 025 01X C ●	G1"F - G1"F	3,2	WITHOUT PUMP	10	60	1	
14G 025 01V C ●	G1"F - G1"F	3,2	Grundfos UPM3 AUTO L 25-70	10	60	1	
14G 025 01C C ●	G1"F - G1"F	3,2	(Extra UE) Grundfos UPSO 25-65	10	60	1	
14G 025 01X D ●	G1"F - G1"F	3,2	WITHOUT PUMP	10	70	1	
14G 025 01V D ●	G1"F - G1"F	3,2	Grundfos UPM3 AUTO L 25-70	10	70	1	
14G 025 01C D ●	G1"F - G1"F	3,2	(Extra UE) Grundfos UPSO 25-65	10	70	1	

19G.DN25 **new**

Distribution group for solid fuel boiler - reversible - DN25 - with nut and fittings, constant temperature regulation actuator - without connection for by-pass. To be used as anti-condensation

Max working temperature	90 °C
Temperature regulation range	20-80 °C



cod.	size	KV	pump	P [bar]	°C	NPC	€
19G 025 07X	G1"F - G1"F	6	WITHOUT PUMP	10	20-80	1	
19G 025 07V	G1"F - G1"F	6	Grundfos UPM3 AUTO L 25-70	10	20-80	1	
19G 025 07C	G1"F - G1"F	6	(Extra UE) Grundfos UPSO 25-65	10	20-80	1	

52D025.01 **new**

2 ball valves kit with pump connection 1"1/2

Max working temperature	95 °C
-------------------------	-------

cod.	size	P [bar]	NPS	NPC	€
52D 025 000 01	G1"	10	1	-	



52D025.02 **new**

2 ball valves kit with pump connection 1"1/2 and check insert integrated on the ball valve on the return

Max working temperature	95 °C
-------------------------	-------

cod.	size	P [bar]	NPS	NPC	€
52D 025 000 02	G1"	10	1	-	



P	Max working pressure
N°P/S	Pieces per box
N°P/C	Pieces per carton



●	Article on request
---	--------------------

P	Max working pressure
N°P/S	Pieces per box
N°P/C	Pieces per carton



●	Article on request
---	--------------------

52D

new

Kit composed by thermostatic mixing valve, pump connection and T fitting on the return

Max working temperature	90 °C
Flow	KV 3,5

cod.	size	P [bar]	°C	NPS	NPC	€
52D 040 0T1	G 1" 1/2 M - G 1" 1/2 F	10	25-50	1	8	
52D 040 0T2	G 1" 1/2 M - G 1" 1/2 F	10	30-60	1	8	



51D

new

Kit composed by mixing valve with by-pass, pump connection and T fitting for the return

Max working temperature	90 °C
-------------------------	-------

cod.	size	P [bar]	NPS	NPC	€
51D 040 0C0	G 1" 1/2 M - G 1" 1/2 F	10	1	12	
51D 040 0I0	G 1" 1/2 M - G 1" 1/2 F	10	1	12	



P73.DN25

Hydraulic separator with thermal insulation

Max working temperature	110 °C
-------------------------	--------

cod.	size	m3/h	P [bar]	NPC	€
P73 M40 030	G1"1/2M - Rp1/2"	3	4	1	
P73 M40 045	G1"1/2M - Rp1/2"	4,5	4	1	



22M.01

new

Hydraulic separator with thermal insulation , with inner strainer to help de-aeration and muck delation

Max working temperature	100 °C
-------------------------	--------

cod.	size	m3/h	P [bar]	NPS	NPC	€
22M 040 000 01	G1"1/2M - G1"1/2M	4	10	-	1	



20M.01

new

Pipes connection kit between hydraulic compensator 22M04000001 and manifolds P72 and V34

Max working temperature	90 °C
-------------------------	-------

cod.	size	m3/h	P [bar]	NPS	NPC	€
20M 040 000 01 ●	G1"1/2F - G1"1/2F -	3	10	-	1	



21M.01

new

Hydraulic separator with thermal insulation, horizontal / vertical

Max working temperature	100 °C
-------------------------	--------

cod.	size	m3/h	P [bar]	NPS	NPC	€
21M 040 000 01	G1"1/2M - G1"1/2F - G1/2"	3	6	-	1	



P	Max working pressure
N°P/S	Pieces per box
N°P/C	Pieces per carton



●	Article on request
---	--------------------

P	Max working pressure
N°P/S	Pieces per box
N°P/C	Pieces per carton



●	Article on request
---	--------------------

P72.DN25

Distribution manifold with thermal insulation and wall brackets

Max working temperature 110 °C

cod.	size	m3/h	N° zone	P [bar]	NPS	NPC	€
P72 040 002	G1"1/2M - G1"1/2	3	2	4	-	1	
P72 040 003	G1"1/2M - G1"1/2	3	3	4	-	1	
P72 040 004	G1"1/2M - G1"1/2	3	4	4	-	1	
P72 040 005	G1"1/2M - G1"1/2	3	5	4	-	1	
P72 040 006	G1"1/2M - G1"1/2	3	6	4	-	1	
P72 M25 002 ●	G1"1/2M - R1"	3	2	4	-	1	
P72 M25 003 ●	G1"1/2M - R1"	3	3	4	-	1	
P72 M25 004 ●	G1"1/2M - R1"	3	4	4	-	1	
P72 M25 005 ●	G1"1/2M - R1"	3	5	4	-	1	
P72 M25 006 ●	G1"1/2M - R1"	3	6	4	-	1	



V34.DN25 new

"UP/Down" Distribution manifold with thermal insulation - wall brackets - fittings for down group mounting

Max working temperature 110 °C

cod.	size	m3/h	N° zone	P [bar]	NPS	NPC	€
V34 040 003	G1"1/2M - G1"1/2	3	3	4	-	1	
V34 040 005	G1"1/2M - G1"1/2	3	5	4	-	1	
V34 040 007 ●	G1"1/2M - G1"1/2	3	7	4	-	1	



P74

Distribution manifold with integrated hydraulic separator, thermal insulation and wall brackets

Max working temperature 110 °C

cod.	size	m3/h	N° zone	P [bar]	NPS	NPC	€
P74 040 002	G1"1/2M - G1"1/2	3	2	4	-	1	
P74 040 003	G1"1/2M - G1"1/2	3	3	4	-	1	



38D.DN25

Monobloc with pump connection (ball valve+thermometer+2 side connections) - thermometer 0-120°C - DN25



Max working temperature 95°C

cod.	size	handle colour	P [bar]	NPS	NPC	€
38D 025 000	G1"1/2 F - G 1"F	red	10	-	16	
38D 025 000 B ●	G1"1/2 F - G 1"F	blue	10	-	16	

38D.2 new

Monobloc with pump connection (ball valve+thermometer+probe connection) - thermometer 0-120°C - DN25



Max working temperature 95°C

cod.	size	handle colour	P [bar]	NPS	NPC	€
38D 025 000 2	G1"1/2 F - G 1"F	red	10	-	16	
38D 025 000 2B ●	G1"1/2 F - G 1"F	blue	10	-	16	

38D.1T new

Ball valve with pump connection with possibility of thermometer integration - DN25



Max working temperature 95°C

cod.	size	handle colour	P [bar]	NPS	NPC	€
38D 025 000 1T	G1"1/2 F - G 1"F	red	10	-	16	
38D 025 000 1BT ●	G1"1/2 F - G 1"F	blue	10	-	16	

39D

Ball valve with pump connection and male connection



Max working temperature 90 °C

cod.	size	handle colour	P [bar]	NPS	NPC	€
39D 020 000 R	G1"1/2F - G1"1/2M	red	10	-	25	

38D.1 new

Monobloc with pump connection (ball valve +thermometer) - thermometer 0-120°C - DN25



Max working temperature 95°C

cod.	size	handle colour	P [bar]	NPS	NPC	€
38D 025 000 1	G1"1/2 F - G 1"F	red	10	-	16	
38D 025 000 1B ●	G1"1/2 F - G 1"F	blue	10	-	16	

37D.DN25

Monobloc with pump connection (ball valve +thermometer+2 side connections+check valve+check valve disconnection) - thermometer 0-120°C - DN25



Max working temperature 95°C

cod.	size	handle colour	P [bar]	NPS	NPC	€
37D 025 000	G 1"F - G1"1/2 F	blue	10	-	16	
37D 025 000 R ●	G 1"F - G1"1/2 F	red	10	-	16	

P	Max working pressure
N°P/S	Pieces per box
N°P/C	Pieces per carton



●	Article on request
---	--------------------

P	Max working pressure
N°P/S	Pieces per box
N°P/C	Pieces per carton



●	Article on request
---	--------------------

37D.1T *new*

Monobloc with pump connection (ball valve+check valve+check valve disconnection) - with possibility of thermometer integration - DN25



Max working temperature 95°C

cod.	size	handle colour	P [bar]	NPS	NPC	€
37D 025 000 1T	G 1" F - G1"1/2 F	blue	10	-	16	
37D 025 000 1RT ●	G 1" F - G1"1/2 F	red	10	-	16	

41D

3-ways mixing valve with by-pass pump connection distribution manifold connection



Max working temperature 90°C

cod.	size	KV	P [bar]	NPS	NPC	€
41D 040 000 C	G1"1/2M - G1"M - G1"1/2F	6	10	1	10	
41D 040 000 I	G1"1/2M - G1"M - G1"1/2F	10	10	1	10	



37D.1 *new*

Monobloc with pump connection (ball valve +thermometer+check valve+check valve disconnection) - thermometer 0-120°C - DN25



Max working temperature 95°C

cod.	size	handle colour	P [bar]	NPS	NPC	€
37D 025 000 1	G 1" F - G1"1/2 F	blue	10	-	16	
37D 025 000 1R ●	G 1" F - G1"1/2 F	red	10	-	16	

V13.1.2

Thermostatic mixing valve for solid fuel heating systems - pump connection - male connection - KV3,2



Max working temperature 100°C
Setting as Anti-condensation 45 - 55 - 60 - 70 °C
Flow KV 3,2



cod.	size	P [bar]	°C	NPS	NPC	€
V13 M25 00A 1 ●	G1"1/2 M - G1"1/2 F - G1"M	10	45°C	-	-	
V13 M25 00B 1 ●	G1"1/2 M - G1"1/2 F - G1"M	10	55°C	-	-	
V13 M25 00C 1 ●	G1"1/2 M - G1"1/2 F - G1"M	10	60°C	-	-	
V13 M25 00D 1 ●	G1"1/2 M - G1"1/2 F - G1"M	10	70°C	-	-	

630.3

4ways thermostatic mixing valve with mixed water from side port - pump and manifold connection - KV3,5 - 30/60°C



Max working temperature 90°C
Flow KV 3,5
Range 30/60 °C



cod.	size	P [bar]	NPS	NPC	€
630 A20 000 3	G1"1/2 M - G1"1/2 - G1"M	10	1	10	

440.I

Handle and screw kit to manually set mixing valve



cod.	€
440 015 011 I	

40D

Extensions with flat sealing, dimension 272 mm



Max working temperature 140°C

cod.	size	P [bar]	NPS	NPC	€
40D 040 000	G1"1/2 - 272mm	10	-	16	

45D.DN25

T-joint - DN25



Max working temperature 140°C

cod.	size	P [bar]	NPS	NPC	€
45D 040 00	G1"1/2 F - G 1"1/2 M - G1" F	10	-	-	

40D.L

L-extensions with flat sealing, dimension 272 mm



Max working temperature 140°C

cod.	size	P [bar]	NPS	NPC	€
40D 040 000 L	G1"1/2 M - G3/4" - 272mm	10	-	16	

615

By-pass differential valve with running nuts - range 0,2-2,5m. With flat gaskets. Connection distance 65mm



Max working temperature 95°C
Connection distance 65mm

cod.	size	P [bar]	NPS	NPC	€
615 015 000	G3/4" F	10	-	40	

40D.2

Extensions with flat sealing, dimension 180 mm



Max working temperature 140°C

cod.	size	P [bar]	NPS	NPC	€
40D 040 000 2	G1"1/2 - 180mm	10	-	16	

616

By-pass differential valve with running nuts - range 2-6,5m. With flat gaskets. Connection distance 65mm



Max working temperature 95°C
Connection distance 55mm

cod.	size	P [bar]	NPS	NPC	€
616 015 000	G3/4" F	10	-	40	

P	Max working pressure
N°P/S	Pieces per box
N°P/C	Pieces per carton



●	Article on request
---	--------------------

P	Max working pressure
N°P/S	Pieces per box
N°P/C	Pieces per carton



●	Article on request
---	--------------------

44D.DN25

2 fittings with flat gasket - DN25



Max working temperature	90 °C
-------------------------	-------

cod.	size	P [bar]	NPS	NPC	€
44D 025 000	G1" F - G1 1/2 F	10	-	-	

V38.06 new

Y fitting kit and immersion probe holder with tightness on the probe



Max working temperature	110 °C
Probe diameter	6mm

cod.	size	P [bar]	NPS	NPC	€
V38 015 000 06	G 1/2" M	10	-	-	
V38 020 000 06	G 3/4" M	10	-	-	
V38 025 000 06	G 1" M	10	-	-	

P72.S

Brackets for wall mounting of distribution manifold P72, P74



Holes diameter	8mm
Holes distance	145

cod.	NPS	NPC	€
P72 000 005	-	-	

42D.DN25

Bracket for wall mounting of the group, including screws and dowels



Holes diameter	8mm
Holes distance	90mm

cod.	NPS	NPC	€
42D 025 Z001	-	-	

V38.05 new

Y fitting kit and probe holder with closed well



Max working temperature	110 °C
Probe diameter	6mm

cod.	size	P [bar]	NPS	NPC	€
V38 015 000 05	G 1/2" M	16	-	-	
V38 020 000 05	G 3/4" M	16	-	-	
V38 025 000 05	G 1" M	16	-	-	

43D.DN25

Distribution groups insulation



Material	EPP
----------	-----

cod.	size	NPC	€
43D 025 000	247 - 410 - 212 mm	1	

11D.120

Axial thermometer



Range	0-120 °C
-------	----------

cod.	size	NPS	NPC	€
11D 015 000 120	Ø 51 mm	-	10	

M04

Actuator for mixing valves, running angle 90°, for proportional setting 0(2) - 10 V. Comes complete with blocking screw, mixing valve adaptor, anti-rotation pin, 1,95m integrated cable



Torque	5 Nm
Frequency	50 Hz
Feedback	0-10V/0-40mA

cod.	V	runningTime [s]	N° poles	NPS	NPC	€
M04 010 3MA B	24	60 - 90 - 120	4	1	10	

M03.3

Compact actuator for mixing valves, running angle 90°, for 3 points setting. Comes complete with blocking screw, mixing valve adaptors, anti-rotation pin, 1,5m integrated cable



Torque	10 Nm
Frequency	50 Hz

cod.	V	runningTime [s]	N° poles	NPS	NPC	€
M03 010 1DA B	230	120	3	1	16	

07A.DN25

Wilco Pump Yonos Para 25-6 with high efficiency (EEI < 0.23 in accordance with EuP directive). With 1 m cable



Max working temperature	100 °C
Max head	6m
Connection distance	180 mm

cod.	size	P [bar]	€
07A 040 060 B	G 1 1/2 M	10	

P Max working pressure

N°P/S Pieces per box

N°P/C Pieces per carton

P Max working pressure

N°P/S Pieces per box

N°P/C Pieces per carton

21A.DN25

Grundfos Pump UPM3 AUTO L 25-70 180 with high efficiency without autoadapt (EEI < 0.23 in accordance with EuP directive)



Max working temperature	100 °C
Max head	7m
Connection distance	180 mm

cod.	size	P [bar]	€
21A 040 070 BC	G 1"1/2 M	10	

14D.2

3 poles 90° cable with rapid connector for UPM3 AUTO, UPM3 AUTO L and UPM3 solar



cod.	N° poles	cable	€
14D 100 002	3	1m	

05A.DN25

Grundfos Pump UPSO 25-65 with 3 constant speed (Extra UE)



Max working temperature	100 °C
Max head	6,5m
Connection distance	180 mm

cod.	size	P [bar]	€
05A 040 065 B ●	G 1"1/2 M	10	

P	Max working pressure
N°P/S	Pieces per box
N°P/C	Pieces per carton



●	Article on request
---	--------------------

01G.DN32

Direct distribution group - reversible - DN32 - without connection for by-pass

Max working temperature	90 °C
-------------------------	-------

cod.	size	pump	P [bar]	NPC	€
01G 032 00X	G2" M - G1"1/4 F	WITHOUT PUMP	10	1	
01G 032 00W	G2" M - G1"1/4 F	Grundfos UPM3 AUTO L 32-70	10	1	
01G 032 00T	G2" M - G1"1/4 F	(Extra UE) Grundfos UPSO 32-65	10	1	
01G 032 00F ●	G2" M - G1"1/4 F	Grundfos UPML 32-95	10	1	



07G.06.DN32

new

Distribution group with mixing valve suitable to be actuated - reversible - DN32 - actuator with constant temperature regulator - without connection for by-pass

Max working temperature	90 °C
-------------------------	-------

cod.	size	KV	pump	P [bar]	NPC	€
07G 032 06X	G2" M - G1"1/4 F	18	WITHOUT PUMP	10	1	
07G 032 06W	G2" M - G1"1/4 F	18	Grundfos UPM3 AUTO L 32-70	10	1	
07G 032 06T	G2" M - G1"1/4 F	18	(Extra UE) Grundfos UPSO 32-65	10	1	
07G 032 06F ●	G2" M - G1"1/4 F	18	Grundfos UPML 32-95	10	1	



07G.DN32

Distribution group with mixing valve suitable to be actuated - reversible - DN32 - without connection for by-pass

Max working temperature	90 °C
-------------------------	-------

cod.	size	KV	pump	P [bar]	NPC	€
07G 032 00X	G2" M - G1"1/4 F	18	WITHOUT PUMP	10	1	
07G 032 00W	G2" M - G1"1/4 F	18	Grundfos UPM3 AUTO L 32-70	10	1	
07G 032 00T	G2" M - G1"1/4 F	18	(Extra UE) Grundfos UPSO 32-65	10	1	
07G 032 00F ●	G2" M - G1"1/4 F	18	Grundfos UPML 32-95	10	1	



P	Max working pressure
N°P/S	Pieces per box
N°P/C	Pieces per carton



●	Article on request
---	--------------------

19G.DN32 new

Distribution group for solid fuel boiler - reversible - DN32 - with nut and fittings, constant temperature regulation actuator - without connection for by-pass. To be used as anti-condensation

Max working temperature 90 °C



cod.	size	KV	pump	P [bar]	NPC	€
19G 032 07X	G1"1/4F - G2"M	18	WITHOUT PUMP	10	1	
19G 032 07W	G1"1/4F - G2"M	18	Grundfos UPM3 AUTO L 32-70	10	1	
19G 032 07T	G1"1/4F - G2"M	18	(Extra UE) Grundfos UPSO 32-65	10	1	

51D new

Kit composed by mixing valve with by-pass, pump connection and T fitting for the return



Max working temperature 90 °C

cod.	size	P [bar]	NPS	NPC	€
51D 050 0G0	G 2" M - G 2" F	10	1	12	

V36.I2 new

2 Adapter fittings between DN25 groups and DN32 manifolds - flat gasket



Max working temperature 110 °C

cod.	size	P [bar]	NPS	NPC	€
V36 050 000 I2	G2"M - G1"1/2F	10	2	-	

P73.DN32

Hydraulic separator with thermal insulation



Max working temperature 110 °C

cod.	size	m3/h	P [bar]	NPC	€
P73 M50 080	G2"M	8	4	1	

38D.DN32

Monobloc with pump connection (ball valve+thermometer) - thermometer 0-120°C - DN32



Max working temperature 95°C

cod.	size	handle colour	P [bar]	NPS	NPC	€
38D 032 000	G2"F - G1"1/4F	red	10	-	-	

P72.DN32 new

Distribution manifold with thermal insulation and wall brackets



Max working temperature 110 °C

cod.	size	m3/h	N° zone	P [bar]	NPC	€
P72 050 002	G2"M - G2"F	6,5	2	4	1	
P72 050 003	G2"M - G2"F	6,5	3	4	1	

50D.M50

Ball valve with pump connection with possibility of thermometer integration



Max working temperature 95°C

cod.	size	P [bar]	NPS	NPC	€
50D M50 000 R	G 2" F - G 2" M	10	-	-	

P	Max working pressure
N°P/S	Pieces per box
N°P/C	Pieces per carton



●	Article on request
---	--------------------

P	Max working pressure
N°P/S	Pieces per box
N°P/C	Pieces per carton



●	Article on request
---	--------------------

37D.DN32

Monobloc with pump connection (ball valve + thermometer + check valve) - thermometer 0-120°C - DN32



Max working temperature 95°C

cod.	size	handle colour	P [bar]	NPS	NPC	€
37D 032 000	G1"1/4F - G2"F	blue	10	-	-	

44D.DN32

2 fittings with flat gasket - DN32



Max working temperature 90°C

cod.	size	P [bar]	NPS	NPC	€
44D 032 000	G2"F - G1"1/4 F	10	-	-	

45D.DN32

T-joint - DN32



Max working temperature 140°C

cod.	size	P [bar]	NPS	NPC	€
45D 050 000 ●	G 2" F - G 2" M - G 1" 1/4 F	10	-	-	

40D.DN32

Extensions with flat sealing, dimension 280 mm



Max working temperature 140°C

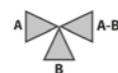
cod.	size	P [bar]	NPS	NPC	€
40D 050 000 ●	G2"M - 280mm	10	-	-	

41D

3-ways mixing valve with by-pass pump connection distribution manifold connection



Max working temperature 90°C



cod.	size	KV	P [bar]	NPS	NPC	€
41D 050 000 G ●	G 2" M - G 2" F - G 1" 1/4 M	18	10	1	10	

40D.2.DN32

Extensions with flat sealing, dimension 180 mm



Max working temperature 140°C

cod.	size	P [bar]	NPS	NPC	€
40D 050 000 2 ●	G2"M - 180mm	10	-	-	

42D.DN32

Bracket for wall mounting of the group, including screws and dowels



Holes diameter 8mm
Holes distance 90mm

cod.	NPS	NPC	€
42D 032 Z00 I	-	-	

V38.06 new

Y fitting kit with immersion probe holder with tightness on the probe



Max working temperature 110°C
Probe diameter 6mm

cod.	size	P [bar]	NPS	NPC	€
V38 015 000 06	G 1/2" M	10	-	-	
V38 020 000 06	G 3/4" M	10	-	-	
V38 025 000 06	G 1" M	10	-	-	

440.I

Handle and screw kit to manually set mixing valve



cod.	NPS	NPC	€
440 015 011 I	-	-	

43D.DN32

Distribution groups insulation



Material EPP

cod.	size	NPC	€
43D 032 000	247 - 410 - 212 mm	1	

V38.05 new

Y fitting kit and probe holder with closed well



Max working temperature 110°C
Probe diameter 6mm

cod.	size	P [bar]	NPS	NPC	€
V38 015 000 05	G 1/2" M	16	-	-	
V38 020 000 05	G 3/4" M	16	-	-	
V38 025 000 05	G 1" M	16	-	-	

11D.120

Axial thermometer



Range 0-120 °C

cod.	size	NPS	NPC	€
11D 015 000 120	Ø 51 mm	-	10	

P	Max working pressure
N°P/S	Pieces per box
N°P/C	Pieces per carton



●	Article on request
---	--------------------

P	Max working pressure
N°P/S	Pieces per box
N°P/C	Pieces per carton



●	Article on request
---	--------------------

M03.3

Compact actuator for mixing valves, running angle 90°, for 3 points setting. Comes complete with blocking screw, mixing valve adaptors, anti-rotation pin, 1,5m integrated cable



Torque	10 Nm
Frequency	50 Hz

cod.	V	runningTime [s]	N° poles	NPS	NPC	€
M03 010 1DA B	230	120	3	1	16	

23A.DN32

Grundfos Pump UPM3 AUTO L 32-70 180 with high efficiency without autoadapt (EEI < 0.23 in accordance with EuP directive)



Max working temperature	100 °C
Max head	7m
Connection distance	180 mm

cod.	size	P [bar]	€
23A 050 070 BC	G 2" M	10	

P27T

Actuator for mixing valves, running angle 90°, with integrated probe and temperature setting device. Comes complete with blocking screw, mixing valve adaptors, anti-rotation pin, NTC probe (1m cable), probe's carrying bracers fitting, integrated European electrical wire connection, 2m integrated cable.



Torque	10 Nm
Frequency	50 Hz

cod.	V	runningTime [s]	N° poles	NPS	NPC	€
P27 230 010 T	230	135	2	1	10	

05A.DN32

Grundfos Pump UPSO 32-65 with 3 constant speed (Extra UE)



Max working temperature	100 °C
Max head	6,5m
Connection distance	180 mm

cod.	size	P [bar]	€
05A 050 065 B	G 2" M	10	

M04

Actuator for mixing valves, running angle 90°, for proportional setting 0(2) - 10 V. Comes complete with blocking screw, mixing valve adaptor, anti-rotation pin, 1,95m integrated cable



Torque	5 Nm
Frequency	50 Hz
Feedback	0-10V/0-40mA

cod.	V	runningTime [s]	N° poles	NPS	NPC	€
M04 010 3MA B	24	60 - 90 120	4	1	10	

18A.DN32

Grundfos Pump UPML 32-95 with high efficiency (EEI < 0.23 in accordance with EuP directive). With 2 m cable and rapid connector



Max working temperature	100 °C
Max head	9,5m
Connection distance	180 mm

cod.	size	P [bar]	€
18A 050 095 B ●	G 2" M	10	

17B

Built-in distribution group with thermostatic mixing valve 30-60°C. The group is supplied with temperature gauge in a single bag and an integrated air vent. Fitting for manifold connection included and elbow for the primary circuit connection. (on request surface treatment)

Max working temperature	90 °C
Temperature regulation range	30 - 60°C

cod.	size	KV	pump	P [bar]	NPC	€
17B 040 00S	G 1" M - Rp 3/4" F	3,5	Grundfos UPM3 AUTO L 25-70 130	10	1	
17B 040 00I ●	G 1" M - Rp 3/4" F	3,5	Wilo Yonos Para 25-6 130 (EUP)	10	1	
17B 025 000 ●	G 1" M - Rp 3/4" F	3,5	(Extra UE) Grundfos UPSO 15-65 130	10	1	
17B 040 000	G 1" M - Rp 3/4" F	3,5	(Extra UE) Grundfos UPSO 25-65 130	10	1	



17B.1

new

Built-in distribution group with thermostatic mixing valve 25-50°C. The group is supplied with temperature gauge in a single bag and an integrated air vent. Fitting for manifold connection included and elbow for the primary circuit connection. (on request surface treatment)

Max working temperature	90 °C
Temperature regulation range	25-50°C

cod.	size	KV	pump	P [bar]	NPC	€
17B 040 01S	G 1" M - Rp 3/4" F	3,5	Grundfos UPM3 AUTO L 25-70 130	10	1	
17B 040 010	G 1" M - Rp 3/4" F	3,5	(Extra UE) Grundfos UPSO 25-65 130	10	1	



18B

Built-in distribution group with thermostatic mixing valve 30-60°C and differential by-pass(setting 2 - 6.5 m). The group is supplied with temperature gauge in a single bag and an integrated air vent. Fitting for manifold connection included and elbow for the primary circuit connection. (on request surface treatment)

Max working temperature	90 °C
Temperature regulation range	30 - 60°C

cod.	size	KV	pump	P [bar]	NPC	€
18B 040 00S	G 1" M - Rp 3/4" F	3,5	Grundfos UPM3 AUTO L 25-70 130	10	1	
18B 040 00I ●	G 1" M - Rp 3/4" F	3,5	Wilo Yonos Para RS25/6 130(EUP)	10	1	
18B 025 000 ●	G 1" M - Rp 3/4" F	3,5	(Extra UE) Grundfos UPSO 15-65 130	10	1	
18B 040 000	G 1" M - Rp 3/4" F	3,5	(Extra UE) Grundfos UPSO 25-65 130	10	1	



P	Max working pressure
N°P/S	Pieces per box
N°P/C	Pieces per carton



●	Article on request
---	--------------------

P	Max working pressure
N°P/S	Pieces per box
N°P/C	Pieces per carton



●	Article on request
---	--------------------

18B.1

new

Built-in distribution group with thermostatic mixing valve 25-50°C and differential by-pass(setting 2 - 6.5 m). The group is supplied with temperature gauge in a single bag and an integrated air vent. Fitting for manifold connection included and elbow for the primary circuit connection. (on request surface treatment)

Max working temperature	90 °C
Temperature regulation range	25-50 °C

cod.	size	KV	pump	P [bar]	NPC	€
18B 040 015	G 1" M - Rp 3/4" F	3,5	Grundfos UPM3 AUTO L 25-70 130	10	1	
18B 040 010	G 1" M - Rp 3/4" F	3,5	(Extra UE) Grundfos UPSO 25-65 130	10	1	



07B

By-pass differential kit (setting 2 - 6.5 m) (on request surface treatment)

Max working temperature	95°C
-------------------------	------

cod.	size	P [bar]	NPS	NPC	€
07B 015 000	mm 15 - G 3/4" - Rp 3/4"	10	-	15	



24B

Built-in or under boiler distribution group with thermostatic mixing valve 25-58°C. With manifold fittings (on request surface treatment)

Max working temperature	90 °C
Temperature regulation range	25-58 °C

cod.	size	KV	pump	P [bar]	NPC	€
24B 040 005	G 1" M - Rp 3/4" F	4,5	Grundfos UPM3 AUTO L 25-70 130	10	1	
24B 040 00M	G 1" M - Rp 3/4" F	4,5	(Extra UE) Grundfos UPSO 25-65 130	10	1	



02M

Stainless steel return distribution manifold. G1" F connection for thermostatic head - Eurocone G3/4" outlets



Max working temperature	70 °C
-------------------------	-------

cod.	size	N° zone	P [bar]	NPC	€
02M 025 N02	G1" F - G3/4" F	2	6	1	
02M 025 N03	G1" F - G3/4" F	3	6	1	
02M 025 N04	G1" F - G3/4" F	4	6	1	
02M 025 N05	G1" F - G3/4" F	5	6	1	
02M 025 N06	G1" F - G3/4" F	6	6	1	
02M 025 N07	G1" F - G3/4" F	7	6	1	
02M 025 N08	G1" F - G3/4" F	8	6	1	
02M 025 N09	G1" F - G3/4" F	9	6	1	
02M 025 N10	G1" F - G3/4" F	10	6	1	
02M 025 N11	G1" F - G3/4" F	11	6	1	
02M 025 N12	G1" F - G3/4" F	12	6	1	
02M 025 N13	G1" F - G3/4" F	13	6	1	

06M

Stainless steel return distribution manifold - air vent and drain cock. G1" F connection for thermostatic head - Eurocone G3/4" outlets



Max working temperature	70 °C
-------------------------	-------

cod.	size	N° zone	P [bar]	NPC	€
06M 025 N02	G1" F - G3/4" F	2	6	1	
06M 025 N03	G1" F - G3/4" F	3	6	1	
06M 025 N04	G1" F - G3/4" F	4	6	1	
06M 025 N05	G1" F - G3/4" F	5	6	1	
06M 025 N06	G1" F - G3/4" F	6	6	1	
06M 025 N07	G1" F - G3/4" F	7	6	1	
06M 025 N08	G1" F - G3/4" F	8	6	1	
06M 025 N09	G1" F - G3/4" F	9	6	1	
06M 025 N10	G1" F - G3/4" F	10	6	1	
06M 025 N11	G1" F - G3/4" F	11	6	1	
06M 025 N12	G1" F - G3/4" F	12	6	1	

03M

Stainless steel supply distribution manifold. G1" F connection with flowmeter and flow regulator - Eurocone G3/4" outlets



Max working temperature	70 °C
-------------------------	-------

cod.	size	N° zone	P [bar]	NPC	€
03M 025 N02	G1" F - G3/4" F	2	6	1	
03M 025 N03	G1" F - G3/4" F	3	6	1	
03M 025 N04	G1" F - G3/4" F	4	6	1	
03M 025 N05	G1" F - G3/4" F	5	6	1	
03M 025 N06	G1" F - G3/4" F	6	6	1	
03M 025 N07	G1" F - G3/4" F	7	6	1	
03M 025 N08	G1" F - G3/4" F	8	6	1	
03M 025 N09	G1" F - G3/4" F	9	6	1	
03M 025 N10	G1" F - G3/4" F	10	6	1	
03M 025 N11	G1" F - G3/4" F	11	6	1	
03M 025 N12	G1" F - G3/4" F	12	6	1	
03M 025 N13	G1" F - G3/4" F	13	6	1	

07M

Stainless steel supply distribution manifold - air vent and drain cock. G1" F connection with flowmeter and flow regulator - Eurocone G3/4" outlets



Max working temperature	70 °C
-------------------------	-------

cod.	size	N° zone	P [bar]	NPC	€
07M 025 N02	G1" F - G3/4" F	2	6	1	
07M 025 N03	G1" F - G3/4" F	3	6	1	
07M 025 N04	G1" F - G3/4" F	4	6	1	
07M 025 N05	G1" F - G3/4" F	5	6	1	
07M 025 N06	G1" F - G3/4" F	6	6	1	
07M 025 N07	G1" F - G3/4" F	7	6	1	
07M 025 N08	G1" F - G3/4" F	8	6	1	
07M 025 N09	G1" F - G3/4" F	9	6	1	
07M 025 N10	G1" F - G3/4" F	10	6	1	
07M 025 N11	G1" F - G3/4" F	11	6	1	
07M 025 N12	G1" F - G3/4" F	12	6	1	

P	Max working pressure
N°P/S	Pieces per box
N°P/C	Pieces per carton



●	Article on request
---	--------------------

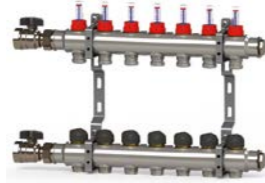
P	Max working pressure
N°P/S	Pieces per box
N°P/C	Pieces per carton



●	Article on request
---	--------------------

05M

Stainless steel supply+return distribution manifold. G1" F connection with flowmeter and flow regulator - thermostatic heads connection - Eurocone G3/4" outlets - mounting brackets



Max working temperature 70 °C

cod.	size	N° zone	P [bar]	NPC	€
05M 025 N02	G1" F - G3/4" F	2	6	1	
05M 025 N03	G1" F - G3/4" F	3	6	1	
05M 025 N04	G1" F - G3/4" F	4	6	1	
05M 025 N05	G1" F - G3/4" F	5	6	1	
05M 025 N06	G1" F - G3/4" F	6	6	1	
05M 025 N07	G1" F - G3/4" F	7	6	1	
05M 025 N08	G1" F - G3/4" F	8	6	1	
05M 025 N09	G1" F - G3/4" F	9	6	1	
05M 025 N10	G1" F - G3/4" F	10	6	1	
05M 025 N11	G1" F - G3/4" F	11	6	1	
05M 025 N12	G1" F - G3/4" F	12	6	1	
05M 025 N13	G1" F - G3/4" F	13	6	1	

14M

Stainless steel supply+return distribution manifold - ball valves. G1" F connection with flowmeter and flow regulator - thermostatic heads connection - Eurocone G3/4" outlets - mounting brackets



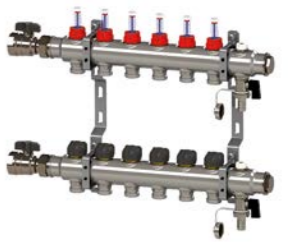
Max working temperature 70 °C

cod.	size	N° zone	P [bar]	NPC	€
14M 025 N02	G1" F - G3/4" F	2	6	1	
14M 025 N03	G1" F - G3/4" F	3	6	1	
14M 025 N04	G1" F - G3/4" F	4	6	1	
14M 025 N05	G1" F - G3/4" F	5	6	1	
14M 025 N06	G1" F - G3/4" F	6	6	1	
14M 025 N07	G1" F - G3/4" F	7	6	1	
14M 025 N08	G1" F - G3/4" F	8	6	1	
14M 025 N09	G1" F - G3/4" F	9	6	1	
14M 025 N10	G1" F - G3/4" F	10	6	1	
14M 025 N11	G1" F - G3/4" F	11	6	1	
14M 025 N12	G1" F - G3/4" F	12	6	1	
14M 025 N13	G1" F - G3/4" F	13	6	1	

16M

Stainless steel supply+return distribution manifold - air vent and drain cock - ball valves. G1" F connection with flowmeter and flow regulator - thermostatic heads connection - Eurocone G3/4" outlets - mounting brackets

Max working temperature 70 °C



cod.	size	N° zone	P [bar]	NPS	NPC	€
16M 025 N02	G1" F - G3/4" F	2	6	1	1	
16M 025 N03	G1" F - G3/4" F	3	6	1	1	
16M 025 N04	G1" F - G3/4" F	4	6	1	1	
16M 025 N05	G1" F - G3/4" F	5	6	1	1	
16M 025 N06	G1" F - G3/4" F	6	6	1	1	
16M 025 N07	G1" F - G3/4" F	7	6	1	1	
16M 025 N08	G1" F - G3/4" F	8	6	1	1	
16M 025 N09	G1" F - G3/4" F	9	6	1	1	
16M 025 N10	G1" F - G3/4" F	10	6	1	1	
16M 025 N11	G1" F - G3/4" F	11	6	1	1	
16M 025 N12	G1" F - G3/4" F	12	6	1	1	

08M

Stainless steel supply+return distribution manifold - air vent and drain cock. G1" F connection with flowmeter and flow regulator - thermostatic heads connection - Eurocone G3/4" outlets - mounting brackets



Max working temperature 70 °C

cod.	size	N° zone	P [bar]	NPC	€
08M 025 N02	G1" F - G3/4" F	2	6	1	
08M 025 N03	G1" F - G3/4" F	3	6	1	
08M 025 N04	G1" F - G3/4" F	4	6	1	
08M 025 N05	G1" F - G3/4" F	5	6	1	
08M 025 N06	G1" F - G3/4" F	6	6	1	
08M 025 N07	G1" F - G3/4" F	7	6	1	
08M 025 N08	G1" F - G3/4" F	8	6	1	
08M 025 N09	G1" F - G3/4" F	9	6	1	
08M 025 N10	G1" F - G3/4" F	10	6	1	
08M 025 N11	G1" F - G3/4" F	11	6	1	
08M 025 N12	G1" F - G3/4" F	12	6	1	

P	Max working pressure
N°P/S	Pieces per box
N°P/C	Pieces per carton



●	Article on request
---	--------------------

P	Max working pressure
N°P/S	Pieces per box
N°P/C	Pieces per carton



●	Article on request
---	--------------------

630.1.2

4ways thermostatic mixing valve with mixed water from side port - pump connection - KV3,5 - 30/60°C - flat gasket



Max working temperature	90 °C
Flow	KV 3,5
Range	30/60 °C



cod.	size	P [bar]	NPS	NPC	€
630 A20 000 1	Rp 3/4" - G1"1/2	10	1	10	
630 A20 000 2 ●	Rp 3/4" - G1"	10	1	10	

W51

4-ways thermostatic mixing valve "OCTOPUS" with mixed water from central port - pump connection - KV4,5 - 25/58°C



Max working temperature	90 °C
Flow	KV 4,5
Range	25/58 °C



cod.	size	P [bar]	NPS	NPC	€
W51 A20 000	Rp 3/4" - G1"1/2	10	1	12	

617.1

By-pass differential valve with compression connection and running nut - range 2-6,5m. With flat gaskets



Max working temperature	95°C
Connection distance	55mm

cod.	size	P [bar]	NPS	NPC	€
617 015 000 1	G3/4" F - mm15	10	-	40	

P90

Ball valve with running nut and flat gasket - female connection



Max working temperature	95°C
-------------------------	------

cod.	size	P [bar]	NPS	NPC	€
P90 025 N00	G1" F - G1" F	10	2	24	

P30

Flow regulator for supply manifold with G3/4" M eurocone connection



Max working temperature	70 °C
-------------------------	-------

cod.	size	P [bar]	NPS	NPC	€
P30 015 N00 I	G 1/2" M	6	-	-	

P29

Connection for thermostatic head for return manifold with G3/4" eurocone connection



Max working temperature	70 °C
-------------------------	-------

cod.	size	P [bar]	NPS	NPC	€
P29 015 N00 I	G 1/2" M	6	-	-	

P82

Drain cock - with hose connection and plug



Max working temperature	95°C
-------------------------	------

cod.	size	P [bar]	NPS	NPC	€
P82 015 N00	G1/2" - G3/4"	16	10	40	

05B

Manual air vent valve with PTFE seal - nickel plated



Max working temperature	110 °C
-------------------------	--------

cod.	size	P [bar]	NPS	NPC	€
05B 008 N03	1/4"	10	10	50	

P83

Manual air vent valve with adjustable drain position - nickel plated



Max working temperature	95°C
-------------------------	------

cod.	size	P [bar]	NPS	NPC	€
P83 015 N00	G1/2" M	16	-	-	

Y47

Automatic air vent valve (compact version)



Max working temperature	95°C
-------------------------	------

cod.	size	P [bar]	NPS	NPC	€
Y47 015 000	G1/2"	10	10	100	

23B

Pump connection elbow with removable running nut - length 60mm



Max working temperature	95°C
Length	60mm

cod.	size	P [bar]	NPS	NPC	€
23B 040 000	G1"1/2 - Rp 3/4"	10	5	10	

23B.C

Pump connection elbow with removable running nut - length 41mm



Max working temperature	95°C
Length	41mm

cod.	size	P [bar]	NPS	NPC	€
23B 040 000 C	G1"1/2 - Rp 3/4"	10	5	10	

P	Max working pressure
N°P/S	Pieces per box
N°P/C	Pieces per carton



●	Article on request
---	--------------------

P	Max working pressure
N°P/S	Pieces per box
N°P/C	Pieces per carton



●	Article on request
---	--------------------

02B

Elbow F-M with lock nut and integrated O-ring (code xxx xxx Nxx x nickel plated)



Max working temperature	95°C
-------------------------	------

cod.	size	P [bar]	NPS	NPC	€
02B 020 000	Rp3/4" - G3/4"	10	-	-	
02B 020 N00 ●	Rp3/4" - G3/4"	10	-	-	

16B

Running nut M-M with integrated O-ring (code xxx xxx Nxx x nickel plated)



Max working temperature	95°C
-------------------------	------

cod.	size	P [bar]	NPS	NPC	€
16B 025 000 1	G3/4" - G1"	10	25	100	
16B 025 N00 1 ●	G3/4" - G1"	10	25	100	

V38.05 new

Y fitting kit and probe holder with closed well



Max working temperature	110°C
Probe diameter	6mm

cod.	size	P [bar]	NPS	NPC	€
V38 015 000 05	G 1/2" M	16	-	-	
V38 020 000 05	G 3/4" M	16	-	-	
V38 025 000 05	G 1" M	16	-	-	

V38.06 new

Y fitting kit with immersion probe holder and tightness on the probe



Max working temperature	110°C
Probe diameter	6mm

cod.	size	P [bar]	NPS	NPC	€
V38 015 000 06	G 1/2" M	10	-	-	
V38 020 000 06	G 3/4" M	10	-	-	
V38 025 000 06	G 1" M	10	-	-	

05BI

Axial thermometer



Range	0-80 °C
-------	---------

cod.	NPS	NPC	€
05B 015 004 1	-	10	

19A

Grundfos Pump UPM3 25-70 130 with high efficiency (EEI < 0.23 in accordance with EuP directive)



Max working temperature	100 °C
Max head	7m
Connection distance	130 mm

cod.	size	P [bar]	€
19A 040 070 BC	G 1" 1/2 M	10	

14D.2

3 poles 90° cable with rapid connector for UPM3 AUTO, UPM3 AUTO L and UPM3 solar



cod.	N° poles	cable	€
14D 100 002	3	1m	

01A.40

Grundfos Pump UPSO 25-65 with 3 constant speed (Extra UE)



Max working temperature	100°C
Max head	6,5m
Connection distance	130 mm

cod.	size	P [bar]	€
01A 040 065 B	G 1" 1/2 M	10	

12A

Wilo Pump Yonos Para 25-6 with high efficiency (EEI < 0.23 in accordance with EuP directive). With 1 m cable



Max working temperature	95°C
Max head	6m
Connection distance	130 mm

cod.	size	P [bar]	€
12A 040 060 B	G 1" 1/2 M	10	

14D.1

3 poles cable with rapid connector for Alpha2 and Alpha2L pump



cod.	N° poles	cable	€
14D 200 001	3	2m	

01A.25

Grundfos Pump UPSO 15-65 with 3 constant speed (Extra UE)



Max working temperature	100°C
Max head	6,5m
Connection distance	130 mm

cod.	size	P [bar]	€
01A 025 065 B	G 1" M	10	

P	Max working pressure
N°P/S	Pieces per box
N°P/C	Pieces per carton



●	Article on request
---	--------------------

P	Max working pressure
N°P/S	Pieces per box
N°P/C	Pieces per carton



●	Article on request
---	--------------------

DIFFERENTIAL VALVES

Series of balancing differential valves. They are normally used in the heat generators (wall hung boilers, wood boilers, heating pumps) and in the heating installations (to radiating elements, to radiating floor surfaces)



615

615

By-pass differential valve with running nuts - range 0,2-2,5m. With flat gaskets. Connection distance 65mm



Max working temperature	95°C
Connection distance	65mm

cod.	size	P [bar]	NPS	NPC	€
615 015 000	G3/4" F	10	-	40	

616

By-pass differential valve with running nuts - range 2-6,5m. With flat gaskets. Connection distance 65mm



Max working temperature	95°C
Connection distance	65mm

cod.	size	P [bar]	NPS	NPC	€
616 015 000	G3/4" F	10	-	40	

617.1

By-pass differential valve with compression connection and running nut - range 2-6,5m. With flat gaskets



Max working temperature	95°C
Connection distance	55mm

cod.	size	P [bar]	NPS	NPC	€
617 015 000 1	G3/4" F - mm15	10	-	40	

P39

Safety valve for heating system



Max working temperature	115°C
Allowed fluids	water, mix water and glycol(max 50%), air, group 1 fluids,
Discharge coefficient	K=0,05

cod.	size	Calibration [bar]	P [bar]	NPS	NPC	€
P39 015 000 3	G 1/2" F - G 3/4" F	3	10	10	40	
P39 015 000 6	G 1/2" F - G 3/4" F	6	10	10	40	

04D

Safety valve for solar system



Max working temperature	160°C
Allowed fluids	water, mix water and glycol(max 50%), air, group 1 fluids,
Discharge coefficient	K=0,05

cod.	size	Calibration [bar]	P [bar]	NPS	NPC	€
04D 015 000 3	G 1/2" F - G 3/4" F	3	10	10	40	
04D 015 000 6	G 1/2" F - G 3/4" F	6	10	10	40	

SAFETY VALVES

Series of standard safety valves (according to EN 10412 § 11.4.2). They are used to protect the system from backpressure.



P39



04D